

TelsaTM 90

RECHARGEABLE POOL VACUUM
USER MANUAL
ASPIRATEUR RECHARGEABLE SANS FIL
MANUEL D'UTILISATION
HERLAADBARE BODEMZUIGER
HANDLEIDING
WIEDERAUFLADBARER POOLSAUGER
BEDIENUNGSANLEITUNG



EV90

By  **KOKIDO**[®]
Pool Product Innovations

Table Of Contents

SAFETY WARNINGS & INSTRUCTIONS	P.5
HOW THE POOL VACUUM WORKS	P.8
GETTING STARTED	P.9
Charging The Battery	P.9
Set-Up Before Use	P.10
Side extension assembly	P.10
Side extension disassembly	P.11
Handle/Telescopic pole connector assembly	P.11
Filter bag assembly	P.11
Pool Preparation	P.12
OPERATION	P.12
EMPTYING THE FILTER BAG	P.14
MAINTENANCE & STORAGE	P.14
BATTERY DISPOSAL	P.14
How to remove the battery pack	P.15
TROUBLESHOOTING	P.16

Remark: Product/parts photos/drawings in this manual are for demonstration only.
Product/parts in photos/drawings may vary with the model purchased.

Table des matières

AVERTISSEMENTS DE SÉCURITÉ ET INSTRUCTIONS	P.17
FONCTIONNEMENT DE L'ASPIRATEUR DE PISCINE	P.20
DÉBUT DES OPÉRATIONS	P.21
Chargement de la batterie	P.21
Réglage avant l'utilisation	P.22
Assemblage des extensions latérales	P.22
Démontage des extensions latérales	P.23
Assemblage de la poignée / connecteur pour manche télescopique	P.23
Fixation du sac de filtration	P.23
Préparation de la piscine	P.24
FONCTIONNEMENT	P.24
VIDER LE SAC DE FILTRATION	P.26
MAINTENANCE ET STOCKAGE	P.26
ÉLIMINATION DES BATTERIES	P.27
Comment retirer le bloc de batteries	P.27
REPÉRAGE DE PANNES	P.28

Remarque: Les photos / dessins de produits / pièces de ce manuel sont uniquement à titre de démonstration. Le produit / les pièces dans les photos / dessins peuvent varier en fonction du modèle acheté

Inhoudsopgave

VEILIGHEIDSWAARSCHUWINGEN & INSTRUCTIES	P.29
HOE DE ZWEMBADSTOFZUIGER WERKT	P.32
VAN START GAAN	P.33
Batterij opladen	P.33
Instellen voor gebruik	P.34
Extensie monteren	P.34
Extensie demonteren	P.35
Handgreep/Telescopische paalverbinding monteren	P.35
Filterzak monteren	P.35
Vorbereiding Zwembad	P.36
GEBRUIK	P.36
FILTERZAK LEGEN	P.38
ONDERHOUD & OPSLAG	P.38
VERWIJDERING VAN DE BATTERIJ	P.39
Hoe de batterij verwijderen	P.39
PROBLEMEN OPLOSSEN	P.40

Opmerking: Foto's/tekeningen van (onderdelen van) het product in deze handleiding dienen alleen ter illustratie. Foto's/tekeningen van (onderdelen van) het product kunnen verschillen van het model dat u hebt aangeschaft.

Inhaltsverzeichnis

SICHERHEITSHINWEISE UND ANWEISUNGEN	S.41
WIE DAS POOL-VAKUUM FUNKTIONIERT FERTIG MACHEN	S.44
Die Batterie aufladen	S.45
Vor Gebrauch einrichten	S.46
Verlängerung montieren	S.46
Verlängerung demontieren	S.47
Griff/Teleskopstangenverbinder montieren	S.47
Filterbeutel montieren	S.47
Poolvorbereitung	S.48
BETRIEB	S.48
LEEREN DER FILTERTASCHE	S.50
WARTUNG & LAGERUNG	S.50
BATTERIE ENTSORGUNG	S.51
So entfernen Sie den Akku	S.51
FEHLERBEHEBUNG	S.52

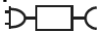
Kommentare Produkte/Teile auf den Fotos/Zeichnungen in dieser Anleitung dienen nur zur Veranschaulichung. Produkte/Teile auf den Fotos/Zeichnungen können beim gekauften Artikel variieren.

SAFETY WARNINGS & INSTRUCTIONS

Read and follow all instructions in this manual and on the equipment. Failure to do so could result in severe or fatal injuries.

SAVE THESE INSTRUCTIONS

WARNING!

- This is not a TOY. Children should be kept out of reach from this pool vacuum and its accessories.
- Never allow children to operate this product.
- This pool vacuum is not intended for use by someone with reduced physical, sensory or mental capabilities, and/or a lack of experience and knowledge unless they have been given instructions concerning the appliance and are under supervision of the person responsible for their safety.
- Children must not play with this product
- Cleaning and user maintenance must not be carried out by children
- Make sure the pool vacuum is fully immersed in water before initiating operation. The minimum water level required to operate the pool vacuum must cover the entire pool vacuum. Operating the pool vacuum when it is not immersed in the water correctly could damage the unit and void the warranty as a result.
- Maximum operating depth in water is 3 meters (10 ft.).
- Operating water temperature: 5°C (41°F) –35°C (95°F)
- Only use the detachable supply unit (external adaptor) provided with this pool vacuum-to charge the battery.
-  Detachable supply unit (external adaptor)
- Connect the external adaptor to a power source through a residential current device (RCD) / a ground fault circuit interrupter (GFCI). If in doubt, consult a qualified professional electrician.
- Do not use this pool vacuum if any damage is detected.
- Replace damaged parts as soon as possible. Only use parts certified by the distributor or manufacturer.
- Turn off the pool vacuum, disconnect the external adaptor from the power source, and unplug it from the charging plug, before detaching the charging plug from the pool vacuum.
- Disconnect the pool vacuum from the supply mains and make sure the pool vacuum is powered OFF prior to servicing it such as cleaning the filter bag.
- The battery installed is a rechargeable Li-ion battery pack. Never attempt to replace it.
- The pool vacuum is only to be recharged with external adaptor and charging plug delivered with this product.
- DO NOT handle the pool vacuum, external adaptor and charging plug while it is charging with wet limbs and without shoes.

- You should not operate this pool vacuum when people/pets are present in the water.
- DO NOT use this pool vacuum without an intact filter bag in place, otherwise your warranty will be voided as a result.
- Suction entrapment hazard: This pool vacuum generates suction. Do not allow hair, body, and any loose parts of your clothing to make contact with the suction point of the pool vacuum during its operation.
- Never insert body parts, clothing, and other objects into the openings and moving parts of the pool vacuum.
- DO NOT use this pool vacuum to pick up any toxic substance, flammable, and combustible liquids such as gasoline, and in the presence of explosive or flammable fumes.
- Under no circumstances should you attempt to disassemble the pool vacuum and replace the impeller, motor, and battery by yourself.
- Never insert fingers and any object to touch the impeller.
- This pool vacuum shall not be used by children.
- The battery must be removed from the pool vacuum by an expert before it is scrapped.
- The pool vacuum must be disconnected from the supply mains as the battery is removed.
- For detail regarding battery disposal, refer to the section "Battery Disposal" in this manual
- The battery must be disposed safely in accordance with local ordinances or regulations.
- The pool vacuum contains a maintenance-free, rechargeable lithium-ion battery pack, which must be disposed properly. Recycling is required; please contact your local authorities for more information.

- External adaptor and charging plug:
 - Never use the external adaptor and charging plug for anything other than charging the battery of the pool vacuum that is supplied in the same pack.
 - The external adaptor and charging plug should not be used outdoors, nor should it be exposed to rain, humidity, any liquid or heat.
 - The transformer (or external adaptor) is to be located outside zone 1
 - Keep the external adaptor and charging plug out of reach of children.
 - Never use the external adaptor and charging plug if any damage is detected.
 - DO NOT handle the external adaptor and charging plug with wet hands.
 - Keep the external adaptor disconnected from power when it is not in use.
 - Never attempt to dissect the external adaptor.

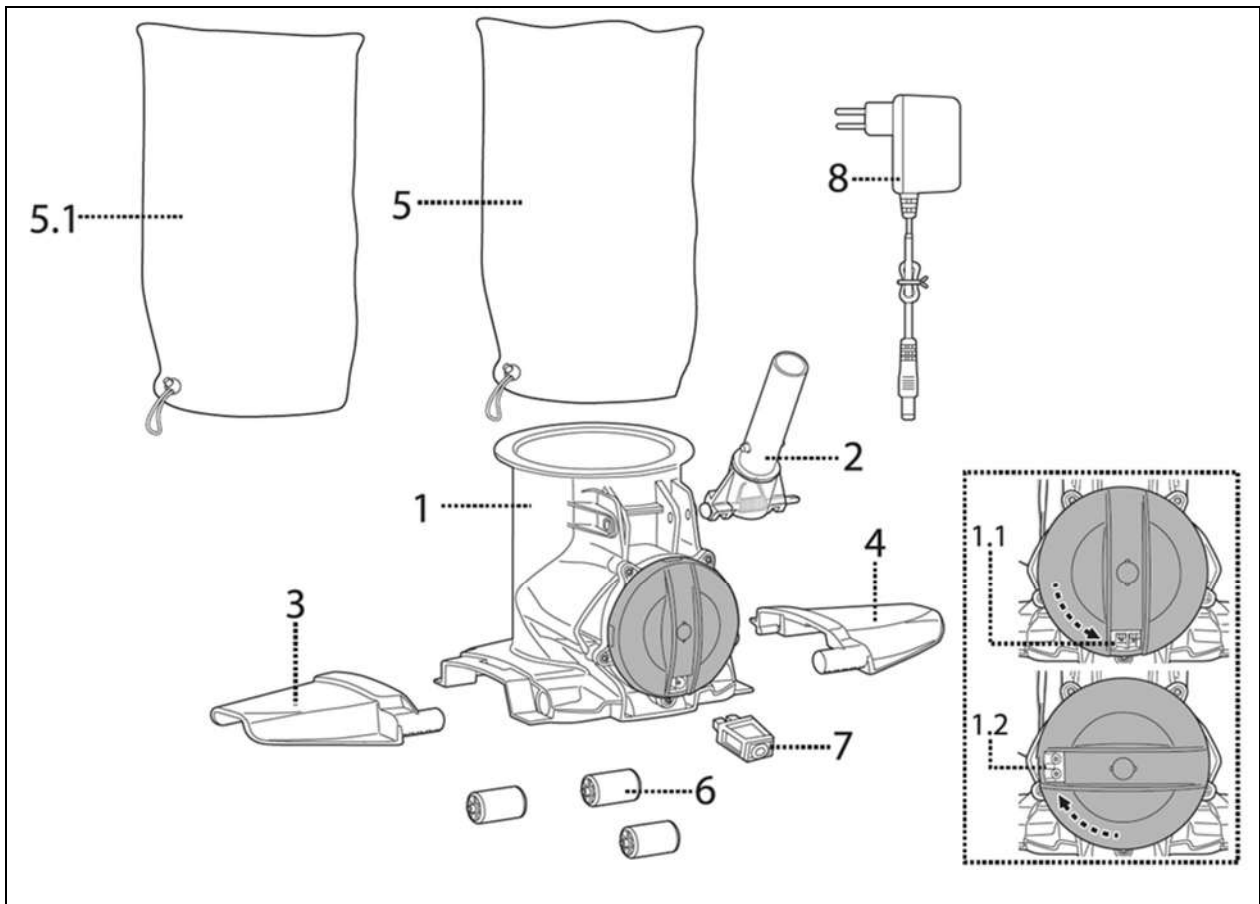
- If the supply cord is damaged, it must be replaced by the manufacturer, its service agent, or an equally-qualified person in order to prevent hazards of any kind.
- Make sure the pool vacuum is completely dry before charging.

CAUTION!

- This pool vacuum is designed for underwater use only; it is not an all-purpose vacuum cleaner. DO NOT attempt to use it to clean anything other than your pool.
- Use only original accessories delivered with this product.
- DO NOT use this pool vacuum right after pool-shocking. It is recommended to first leave the pool circulating for at least 24-48 hours.
- If you are planning on using the pool vacuum in a saltwater pool, make sure all salt are dissolved before placing it in the water.
- It is not recommended to use this pool vacuum with another cleaner simultaneously.
- Avoid picking up hard, sharp objects with this product as they may damage the pool vacuum and filter.
- To avoid damaging the external adaptor and charging plug, do not attempt to carry the pool vacuum by the cable of external adaptor or pull the cable in hopes of disconnecting it from the power source and charging plug.
- Charge the pool vacuum indoors in a clean, dry area with good ventilation and away from sunlight.
- DO NOT leave the pool vacuum charged for over 10 hours.
- If the pool vacuum will not be used for an extended period, detach it from the charging plug and use a damp cloth to clean and dry the pool vacuum and its accessories. Make sure to charge the pool vacuum to about 30% to 50% of the battery capacity before it is stored. Store in a well-ventilated area away from sunlight, heat, ignition sources, pool chemicals, and children. Recharge the pool vacuum every three months.
- All actions concerning the disassembly of the main unit (i.e. battery disposal) can only be carried by an authorized technician.

Above warnings and cautions are not intended to incorporate all possible instances for risks and / or severe injuries. Pool / spa owners should always exercise extra caution and common sense when utilizing the product.

HOW THE POOL VACUUM WORKS



		Replacement Number			Replacement Number
1.	Main unit	EV90ASM04	5.	Regular Filter bag x 1	EV90-06-001
1.1	Charging port (with 2 charging pins for charging)	-----	5.1	Fine Filter bag (for filtering fine particles) x 1	EV90-06-002
1.2	Water sensors	-----			
2.	Handle / Telescopic pole connector (with connector and spring)	EV90ASM01	6.	Wheel x 3	EV90ASM03
3.	Left extension	EV90ASM02	7.	Charging plug	EV90-09
4.	Right extension		8.	Adaptor	EV90-08-002 (for EU only)

GETTING STARTED

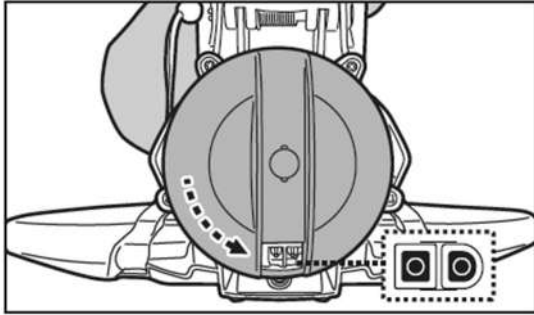
Charging The Battery

IMPORTANT NOTE: Fully charge the pool vacuum (about 5-6 hrs) before using it for the first time.

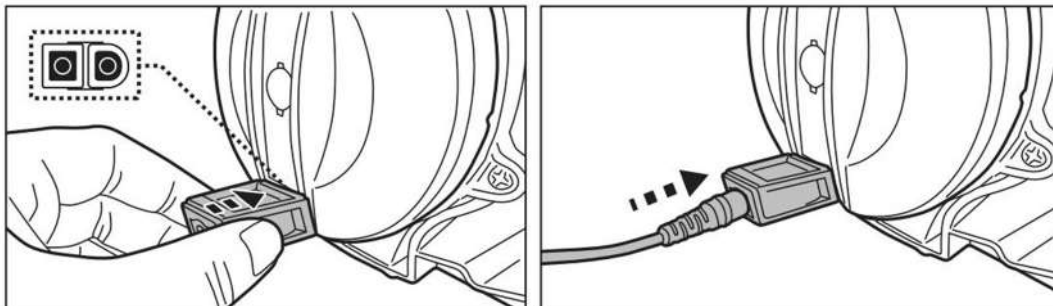
WARNING!

- Use only the original external adaptor and charging plug provided.
- Make sure the pool vacuum and the charging port are clean and dry before set-up.

1.



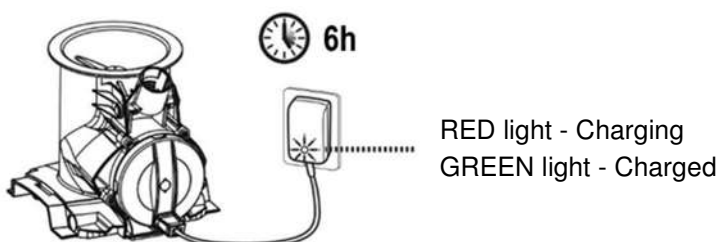
Place the unit on a flat surface. Set the pool vacuum to Power Off/ Charging Mode by turning the switching knob anticlockwise until it clicks and completely exposes the charging port.



Align and attach the charging plug to the charging port. **WARNING!** Be sure not to invert the charging plug and ensure both the charging plug and charging port are clean and dry before charging them. TIPS: Use cotton bud to dry the charging port and pins.

Plug the charging cable of the external adaptor into the charging plug.

2. Connect the external adaptor to the power source. The indicator light on the external adaptor will turn red when the vacuum is charging and green when it is fully charged. Charge it for 6 hours for best performance.



- Immediately disconnect the external adaptor from the power source if you detect any of the following:
 - Offensive or unusual odor
 - Excessive heat
 - Deformation, cracks, leaks
 - Smoke
- 3. When charging is complete, disconnect the external adaptor from the power source and unplug the charging cable from the charging plug. Detach the charging plug from the main unit. **WARNING!** Never leave the charging plug while the pool vacuum is in the water.

Normally the pool vacuum is designed to operate for up to 75 minutes on a full charge.

Note: Empty the filter bag regularly. Excessive debris increases the burden to the motor and may shorten the operating time.

NOTE: Rechargeable lithium-ion battery is classified as a consumable item. It has a limited life and will gradually lose its capacity to hold a charge. Therefore, the running time of the pool vacuum will gradually reduce after repeated charging and discharging throughout its product life.

Once the lifespan of the battery reaches its end, refer to section “BATTERY DISPOSAL” for instructions regarding battery disposal.

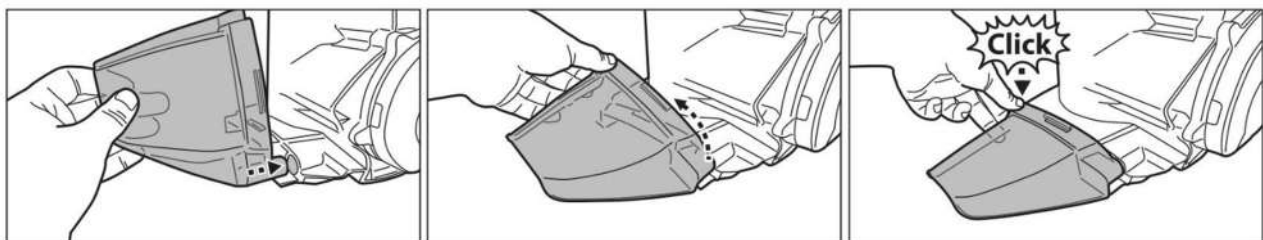
NOTE: Let the pool vacuum rest for around 30 to 40 minutes before charging it again.

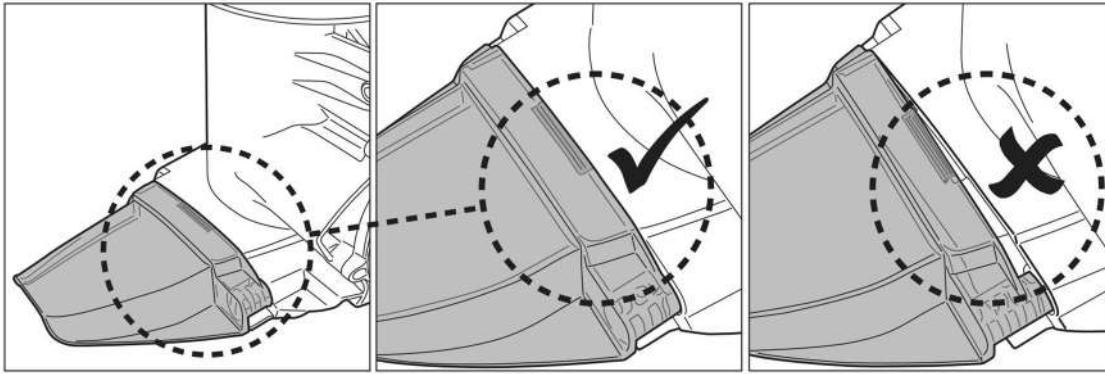
Set-Up Before Use

This pool vacuum has removable extensions which can be removed to clean the narrow areas.

Side extension assembly

Insert the stem of the wing to the hole on the side of the main body. Turn the wing and press on it to secure it to the main body. You will hear a “click” sound.



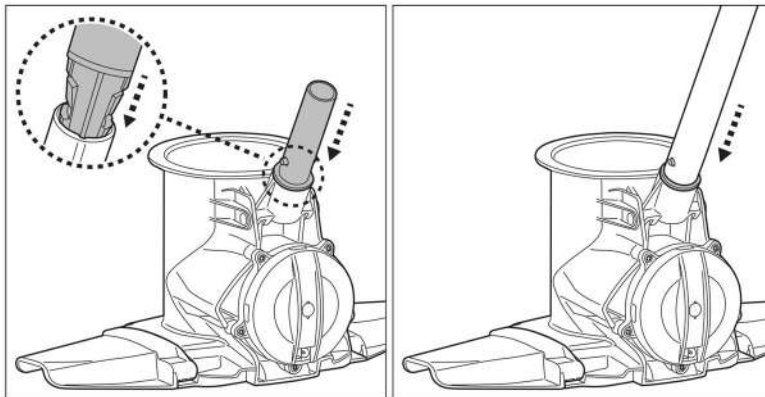


Side extension disassembly

Reverse the steps to disassemble the extension from the main unit.

Handle/Telescopic pole connector assembly

Align and insert the handle/ pole connector into the post as shown. Slide the telescopic pole into the pole connector until the holes on the side of the telescopic pole are secured to the pins of the pole connector.



Filter bag assembly

Note: if the pool is too dirty with fine sand and mud, use fine filter bag.



Spread the filter bag over the top opening of the main body of the pool vacuum. Make sure the cord of the bag is placed under the flange of the top opening.



While holding the cord, press on the cord fastener and push it under the flange.

TIPS: To secure the filter bag, when pushing the cord fastener under the flange, pull one cord instead of two cords as shown in diagram



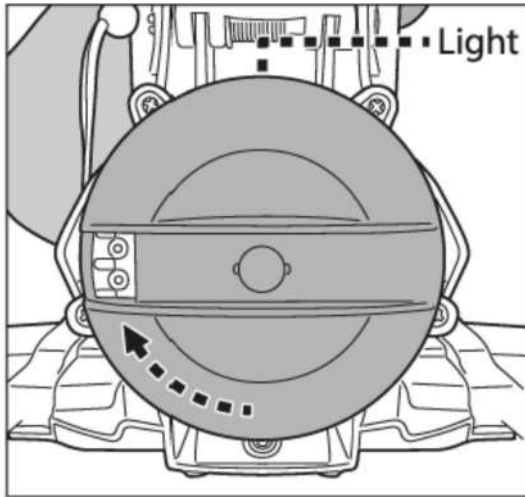
Lift up the bag to ensure it is totally secured before deploying the pool vacuum into water.

Pool Preparation

- If the liner is brittle, damaged, or wrinkled, contact a qualified professional to perform the necessary repairs or perform a liner replacement prior to using the pool vacuum.
- If you are using a saltwater pool, make sure all salt are dissolved before placing the pool vacuum into the water.

OPERATION

- 1) Bring your pool vacuum to the side of your pool. Turn the switching knob clockwise until it clicks to expose the water sensors. The light at the top will turn blue. Immerse the pool vacuum into water, the light turns immediately to green and the impeller will start to turn after 4-5 seconds.

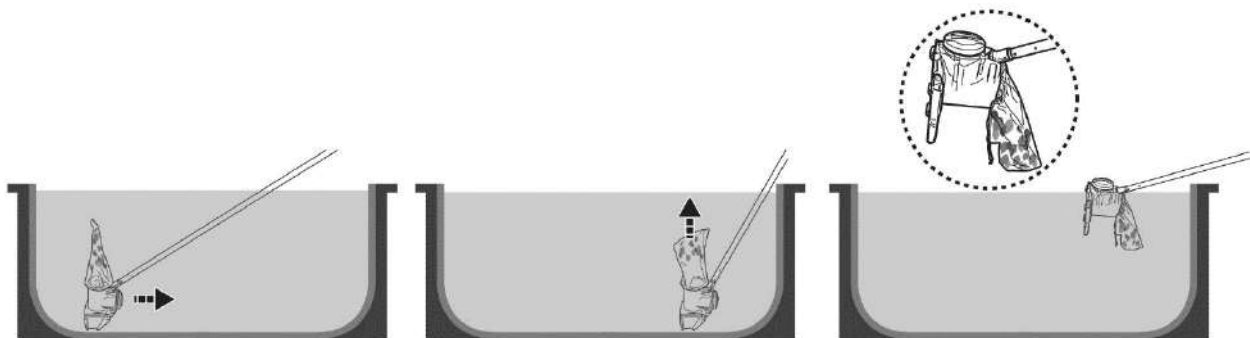


Light Color	
Blue	Power On (ready for operation)
Blue – Flash	Battery level is running low
Green	In operation
Green -Flash	Battery level is running low.
Green light Off	Battery depleted (need to be recharged)
Red	Impeller stops (impeller clogged).

To effectively vacuum up debris, ensure the pool vacuum is laid flat on the pool floor as you steer it back and forth in regular motion over debris patches for collection. Debris is collected from the front, side and back to fill up the filter bag.

Excess dirt and debris in the pool could clog the impeller, which would automatically stop to protect the motor, and the indicator light would turn red. Remove the vacuum from the pool and turn it off prior to unclogging and emptying the filter bag if it is full. To resume operation, turn the switching knob anticlockwise until Power Off is selected, then turn it clockwise to select Power On.

- 2) To retrieve the pool vacuum, bring it poolside and flip it upside down before lifting. This is done to prevent debris from scattering back into the pool (especially if you are using the fine filter bag) and avoid bending the pole in the process.



Once the pool vacuum is out of the water, the impeller will cease to spin within 2-3 seconds. The LED light will turn blue. When battery level is running low, blue light will flash.

- 3) Rinse the pool vacuum with fresh water after every use. DO NOT use any aggressive detergent.
- 4) Dry the charging port and pins thoroughly (TIPS: Use cotton bud to dry them)

EMPTYING THE FILTER BAG

CAUTION! Make sure the pool vacuum is OFF before cleaning the filter bag. Place the cleaner on a flat surface. Press on the cord fastener to release the bag from the main body. It is recommended to clean the filter bag with splashing water. If brushing is deemed necessary, use only a soft brush to clean it carefully and gently to avoid any damages.

MAINTENANCE & STORAGE

NOTE:

1. Battery discharges on its own during storage. Make sure to charge the pool vacuum to about 30% to 50% of the battery capacity before it is stored.
2. You must recharge the battery at least once every three months when it is not in use.
 - Unplug the external adaptor from the socket and the charging cable from the charging plug.
 - Detach accessories from the pool vacuum. If necessary, rinse the pool vacuum and accessories with fresh water. DO NOT use aggressive detergent.
 - Be sure to dry the pool vacuum before storage.
 - Use a damp cloth to clean and dry the pool vacuum and its accessories.
 - Store them in a well-ventilated area away from sunlight, heat, ignition sources, pool chemicals, and from children. Ambient temperature for storage should be 10°C – 25°C (50°F – 77°F). NOTE: A higher storage temperature may reduce the battery life.

WARNING!

- Under no circumstances should you attempt to disassemble the main unit and replace the impeller, motor, and battery by yourself.

CAUTION!

- Excessive heat can damage the battery and reduce the lifespan of your pool vacuum as a result.
- Consult your dealer regarding battery replacement if the following happens:
 - Battery does not charge fully.
 - Battery operation time is noticeably reduced. Observe and record the run times of the first few operations (on a full charge). Use these run times as a reference point for comparison with run times in the future.
- The battery must be removed from the pool vacuum before it is scrapped.
- The battery is to be disposed safely in accordance with local ordinances or regulations.

NOTE: Incorrect maintenance may reduce the battery life and affect its capacity as a result.

BATTERY DISPOSAL (To be carried out by authorized technician)

Your pool vacuum is equipped with a maintenance-free rechargeable lithium-ion battery pack, which must be disposed of properly. Recycling is required; please contact your local authority for more information.

WARNING! Never attempt to disassemble a battery pack

- Remove all personal items such as rings, bracelets, necklaces, and watches when the battery pack is unwired from the pool vacuum.
- A battery can produce a short circuit current high enough to weld a ring (or similar item)

to metal, causing a severe burn in the process.

- Wear complete eye protection, gloves, and protective clothing when the battery pack is being removed.
- Avoid touching the wires altogether and avoid contact between them and any metal items, which could cause sparking and/or short circuit the battery.
- Never smoke or allow a spark or flame in the vicinity of the battery or the pool vacuum.
- Do not expose the battery to fire or intense heat as this may result in an explosion.

CAUTION!

If a battery leak occurs, avoid any contact with the leaking fluids and place the damaged battery in a plastic bag.

- If leaking fluids come in contact with skin and clothing, wash immediately with plenty of soap and water.
- If leaking fluids come in contact with eyes, do not rub them and immediately flush them with cool running water for at least 15 minutes. Seek medical attention as soon as possible.

How to remove the battery pack

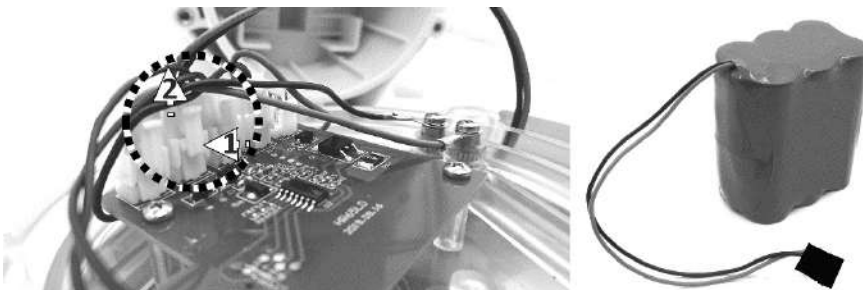
Recommended tools (not included): Screwdriver.

WARNING! The pool vacuum must be disconnected from the supply mains before removing the battery pack.


1. Place the pool vacuum on a flat surface. Use the screwdriver to unfasten the screws on the back cover. Remove the battery from the chamber.



2. To detach the battery connection wire, press on the clip of the connector to pull it out. **NOTE:** Wrap the connector immediately with insulating tape in order to avoid any short circuit caused by the contact of both wire terminals.



TROUBLESHOOTING

Problem	Possible Cause	Solution
Cleaner does not start working under water (after 5-10 seconds)	Stained water sensors	The stains can be removed by using a cotton bud soaked with juice of lemon or vinegar to clean the areas around the water sensors.
	Out of battery	Charge the pool vacuum
Does not capture the debris	Low battery	Charge the pool vacuum.
	Jammed impeller	Remove the pool vacuum from the water and turn the knob anticlockwise to shut it off. Check and see if the impeller is jammed by large debris. Remove the debris. If necessary, contact your dealer for further instructions. WARNING! Make sure the pool vacuum is off before the unit is serviced.
	Broken impeller	Contact your dealer for replacement.
	Filter bag is full / clogged	Clean the filter bag.
Charging time is longer than advertised	Stained charging pins	The stains can be removed by using a cotton bud soaked with juice of lemon or vinegar to clean the areas around the charging pins.
Cleaner cannot be charged	Damaged battery	Contact dealer for battery replacement. WARNING! DO NOT replace the battery by yourself. This could result in severe or fatal injuries and the warranty will be voided as a result.
	Charging plug is not correctly connected to external adaptor and pool vacuum.	Refer to instruction manual and connect the charging accessories correctly.
	External adaptor is out of order	Contact dealer for replacement. WARNING! Using the wrong external adaptor will result in damaging the pool vacuum / battery and voiding the warranty as a result.
Environmental Programmes, WEEE European Directive		
	Please respect the European Union regulations and help to protect the environment. Return non-working electrical equipment to a facility appointed by your municipality that properly recycles electrical and electronic equipment. Do not dispose them in unsorted waste bins. For items containing removable batteries, remove batteries before disposing of the product.	

If soft copy of this instruction manual is required, please contact our customer service by email: customerservice@kokido.com

SAVE THESE INSTRUCTIONS

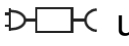
AVERTISSEMENTS DE SÉCURITÉ ET

INSTRUCTIONS

Lire et suivre toutes les instructions figurant dans ce manuel et sur l'équipement. Ne pas le faire pourrait donner lieu à des blessures graves ou mortelles.

CONSERVEZ CES INSTRUCTIONS

AVERTISSEMENT !

- Ceci n'est pas un JOUET. Cet aspirateur de piscine et ses accessoires doivent être maintenus hors de la portée des enfants.
- Ne jamais permettre aux enfants de faire fonctionner ce produit.
- Cet aspirateur de piscine n'est pas prévu pour être utilisé par quelqu'un avec ses capacités physiques, sensorielles ou mentales diminuées, ou un manque d'expérience et de connaissances à moins d'avoir reçu des instructions déterminées relatives à l'appareil et sous la supervision de la personne responsable de leur sécurité.
- Les enfants ne doivent pas jouer avec ce produit
- Le nettoyage et l'entretien du produit ne doivent pas être effectués par des enfants
- S'assurer que l'aspirateur de piscine est totalement immergé dans l'eau avant de le mettre en marche. L'appareil doit être complètement immergé dans l'eau afin de fonctionner correctement. Faire fonctionner l'aspirateur de piscine lorsqu'il n'est pas immergé correctement dans l'eau peut endommager l'unité et annuler de ce fait la garantie.
- La profondeur maximale de fonctionnement dans l'eau est de 3 mètres (10 pieds).
- Température minimale et maximale de l'eau : 5°C – 35°C
- Pour charger la batterie, utilisez uniquement l'unité d'alimentation amovible (adaptateur externe) fournie avec cet aspirateur de piscine.
-  unité d'alimentation amovible (adaptateur externe)
- Brancher l'adaptateur externe à une source d'alimentation à travers un dispositif à courant résiduel (RCD) / disjoncteur différentiel de fuite à la terre (DDFT). En cas de doute, consulter un électricien professionnel qualifié.
- Ne pas utiliser cet aspirateur de piscine si un dommage quelconque est détecté.
- Remplacer les pièces endommagées le plus rapidement possible. N'utiliser que des pièces certifiées par le distributeur ou le fabricant.
- Mettre l'aspirateur de piscine hors tension. Débrancher l'adaptateur externe de la source d'alimentation avant de le débrancher la prise de charge, puis retirer la prise de charge de l'aspirateur de piscine.
- Débrancher l'aspirateur de piscine de l'alimentation principale avant de réaliser la maintenance d'utilisateur telle que le nettoyage du filtre.
- La batterie installée est un bloc de batteries rechargeables au lithium. Ne

- jamais tenter de remplacer le bloc de batteries.
- L'aspirateur de piscine ne doit être rechargé qu'avec l'adaptateur externe et la prise de charge livrés avec ce produit.
 - NE PAS manipuler l'aspirateur de piscine, l'adaptateur externe ou la prise de charge lors de la recharge avec des membres humides et sans chaussures.
 - Vous ne devez pas utiliser cet aspirateur de piscine lorsque des personnes / animaux domestiques sont présents dans l'eau.
 - NE PAS utiliser cet aspirateur de piscine sans un sac de filtration intact en place, car votre garantie serait annulée de ce fait.
 - Danger de piégeage de l'aspiration : Cet aspirateur de piscine produit une aspiration. Ne pas permettre que les cheveux, le corps, ou toutes parties lâches de vos vêtements entrent en contact avec l'orifice d'aspiration de l'aspirateur de piscine pendant son fonctionnement.
 - NE JAMAIS introduire des parties du corps, vêtements ou autres objets dans les ouvertures et pièces mobiles de l'aspirateur de piscine.
 - NE PAS utiliser cet aspirateur de piscine pour ramasser toute substance toxique, des liquides inflammables ou combustibles tels que l'essence, ou en présence de fumées explosives ou inflammables.
 - Ne jamais tenter de démonter d'une quelconque façon cet aspirateur de piscine afin de remplacer vous-même la turbine, le moteur ou la batterie.
 - Ne jamais introduire les doigts ou un quelconque objet qui toucherait la turbine.
 - Cet aspirateur de piscine ne doit pas être utilisé par des enfants.
 - La batterie doit être retirée de l'aspirateur de piscine par un professionnel avant d'être jetée.
 - Pour retirer la batterie, l'aspirateur de la piscine doit être déconnecté du réseau d'alimentation.
 - Pour plus de détails sur l'élimination de la batterie, reportez-vous à la section « Élimination de la batterie » de ce manuel.
 - La batterie doit être disposée en toute sécurité conformément aux ordonnances ou réglementations locales.
 - L'aspirateur de piscine contient une batterie rechargeable au lithium-ion sans entretien, qui doit être correctement disposée. Le recyclage est requis ; veuillez contacter vos autorités locales pour plus d'informations.
 - Adaptateur externe et prise de charge :
 - Ne jamais utiliser l'adaptateur externe et la prise de charge pour tout autre chose que le chargement de la batterie de l'aspirateur de piscine qui est fournie dans le même bloc.
 - L'adaptateur externe et la prise de charge ne doivent pas être utilisés à l'extérieur, ni exposés à la pluie, à l'humidité, à un quelconque liquide ou à la chaleur.
 - Le transformateur (ou l'adaptateur externe) doit être situé en dehors de la zone 1.
 - Maintenir l'adaptateur externe et la prise de charge hors de la portée des enfants.

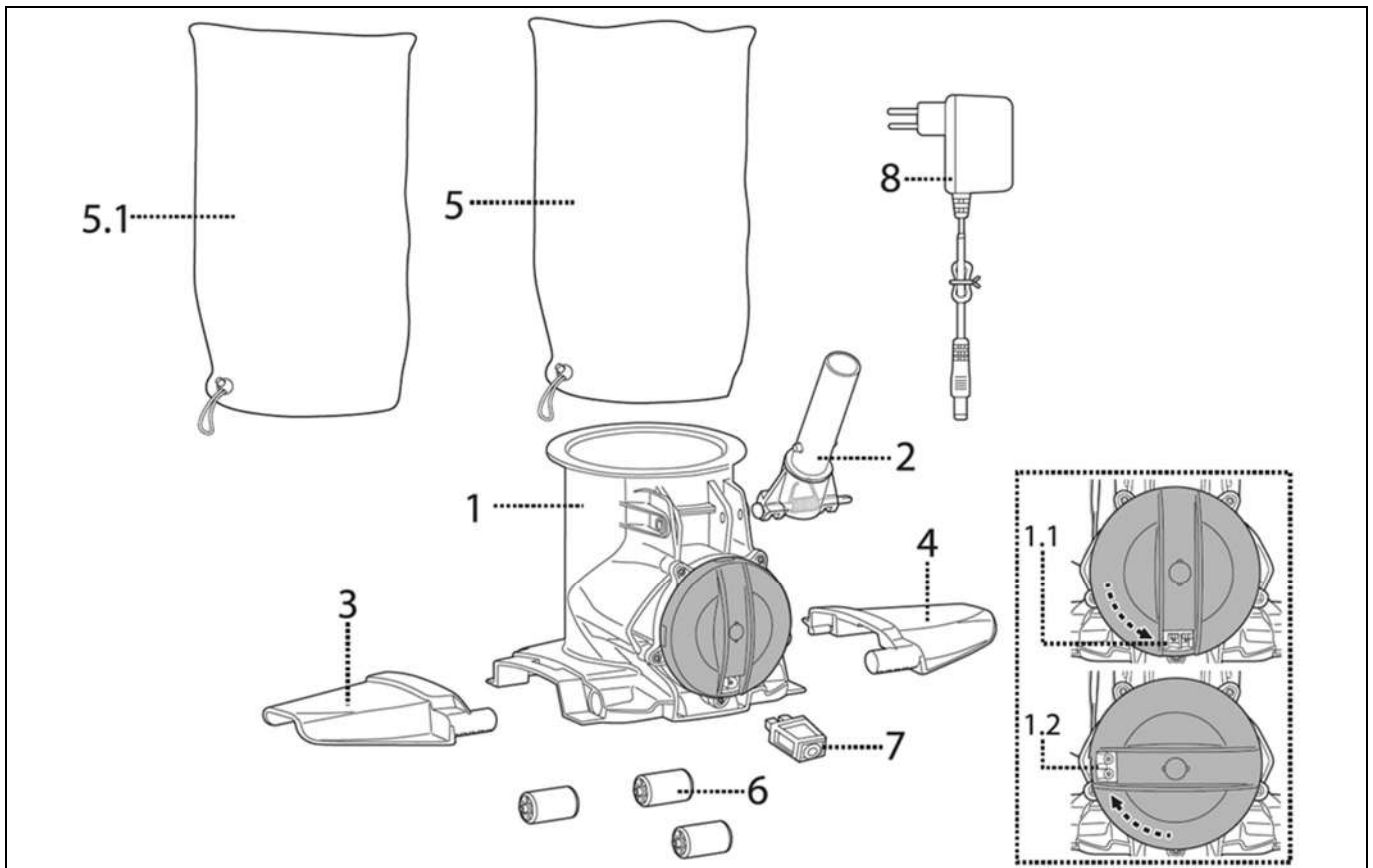
- Ne jamais utiliser l'adaptateur externe et la prise de charge si un quelconque dommage est détecté.
- NE PAS manipuler l'adaptateur externe et la prise de charge avec des mains humides.
- Gardez l'adaptateur externe déconnecté de l'alimentation lorsqu'il n'est pas cour d'utilisation.
- Ne jamais tenter d'ouvrir l'adaptateur externe.
- Si le cordon d'alimentation est endommagé, il doit être remplacé par le fabricant, son agent ou une personne également qualifiée afin de prévenir des dangers de tout type.
- S'assurer que l'aspirateur de piscine est complètement sec avant de le charger.

MISE EN GARDE !

- Cet aspirateur de piscine est uniquement conçu pour une utilisation sous l'eau ; il ne s'agit pas d'un aspirateur tout usage. NE PAS tenter de l'utiliser pour nettoyer tout autre chose que votre piscine.
- Utiliser uniquement les accessoires originaux livrés avec ce produit.
- Ne pas utiliser cet aspirateur de piscine juste après le nettoyage chimique de la piscine. Il est recommandé de laisser circuler l'eau dans la piscine durant au moins 24-48 heures.
- Si vous prévoyez d'utiliser l'aspirateur dans une piscine d'eau salée, assurez-vous que tout le sel est dissous avant de le placer dans l'eau.
- Il n'est pas recommandé d'utiliser cet aspirateur de piscine avec un autre aspirateur de piscine simultanément.
- Éviter de ramasser des objets durs ou pointus avec ce produit. Ils peuvent endommager l'aspirateur de piscine et le filtre.
- Pour éviter d'endommager l'adaptateur externe et la prise de charge, ne pas transporter l'aspirateur de piscine par le câble de l'adaptateur externe et ne pas tirer sur le câble pour le débrancher de la source d'alimentation et de la prise de charge.
- Charger l'aspirateur de piscine à l'intérieur dans une zone propre et sèche avec une bonne aération et à l'abris du soleil.
- NE PAS laisser l'aspirateur de piscine chargé pendant plus de 10 heures.
- Si l'aspirateur de piscine n'est pas utilisé pendant une longue période de temps, le séparer de la prise de charge et utiliser un chiffon humide pour nettoyer et sécher l'aspirateur de piscine et ses accessoires. S'assurer de charger l'aspirateur de piscine à 30% - 50% de sa capacité avant de le ranger. Le ranger dans une zone bien aérée éloignée de la lumière du soleil, de la chaleur, de sources d'ignition, des produits chimiques pour la piscine et des enfants. Ne jamais laisser l'aspirateur de piscine branché pour un stockage à long terme. Recharger l'aspirateur de piscine tous les trois mois.
- Toutes les actions concernant le démontage de l'unité principale (c'est-à-dire élimination de la batterie) ne peuvent être effectuées que par un technicien agréé.

Les avertissements et mises en garde ci-dessus ne prétendent pas inclure tous les possibles cas de risques et / ou de blessures graves. Les propriétaires de piscine / spas doivent toujours prendre des précautions supplémentaires et utiliser leur bon sens lorsqu'ils utilisent le produit.

FONCTIONNEMENT DE L'ASPIRATEUR DE PISCINE



		Numéro de pièce détachée			Numéro de pièce détachée
1.	Unité principale	EV90ASM04	5.	Sac de filtration standard x 1	EV90-06-001
1.1	Port de charge (avec 2 broches de charge pour la charge)	-----	5.1	Sac de filtration fine (pour filtrer les particules fines) x 1	EV90-06-002
1.2	Capteurs d'eau	-----			
2.	Poignée / Connecteur pour manche télescopique (avec connecteur et ressort)	EV90ASM01	6.	Roue x 3	EV90ASM03
3.	Extension gauche	EV90ASM02	7.	Prise de charge	EV90-09
4.	Extension droite		8.	Adaptateur	EV90-08-002 (uniquement pour l'UE)

DÉBUT DES OPÉRATIONS

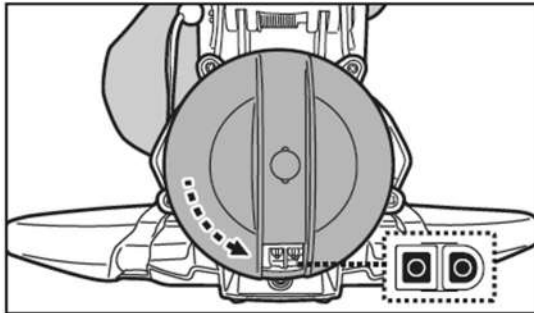
Chargement de la batterie

NOTE IMPORTANTE : Charger complètement l'aspirateur de piscine (environ 5-6 heures) avant la première utilisation

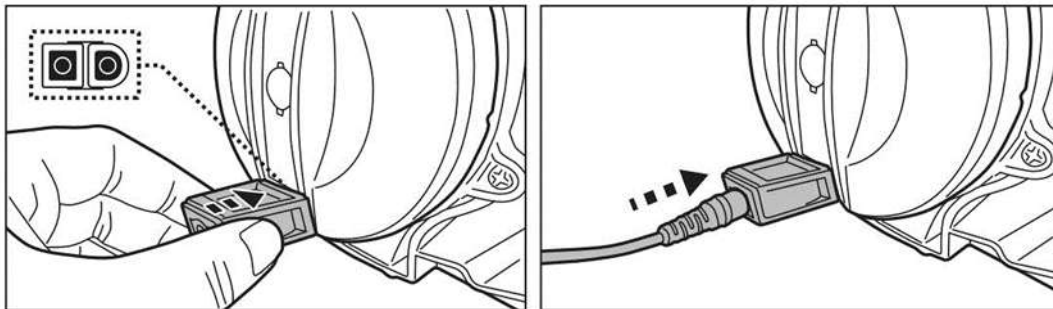
AVERTISSEMENT !

- Utilisez uniquement l'adaptateur externe et la prise de charge d'origine fournis.
- Assurez-vous que l'aspirateur de piscine et le port de charge sont propres et secs avant l'installation.

1.



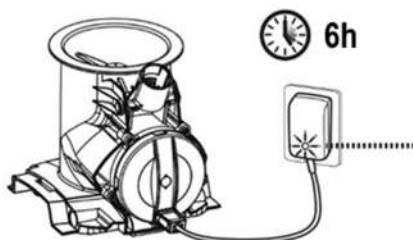
Placez l'appareil sur une surface plane. Réglez l'appareil en mode hors tension / en mode de charge en tournant le bouton dans le sens inverse des aiguilles d'une montre jusqu'à ce qu'il s'enclenche et expose complètement le port de charge



AVERTISSEMENT ! Veillez à ne pas inverser la prise de charge et assurez-vous que la prise de charge et le port de charge soient propres et secs avant de les brancher. Conseils: Pour sécher le port de charge et les broches, utilisez du coton-tige.

Branchez le câble de charge de l'adaptateur externe dans la prise de charge.

2. Connectez l'adaptateur externe à la source d'alimentation. Le voyant de l'adaptateur externe devient rouge lorsque l'aspirateur est en charge et vert lorsqu'il est complètement chargé. Chargez-le pendant 6 heures pour de meilleures performances.



Voyant ROUGE - En charge

Voyant VERT - chargé

- Déconnectez immédiatement l'adaptateur externe de la source d'alimentation si vous observez l'un des éléments suivants :

- Mauvaise ou inhabituelle odeur
- Chaleur excessive
- Déformation, fissures, fuites
- Fumée

3. Une fois la charge terminée, débranchez l'adaptateur externe de la source d'alimentation et débranchez le câble de charge de la prise de charge. Retirez la prise de charge de l'unité principale. **AVERTISSEMENT !** Ne laissez jamais la prise de charge lorsque l'aspirateur est dans l'eau

Normalement, l'aspirateur de piscine est conçu pour fonctionner jusqu'à 75 minutes à charge pleine.

Remarque : Videz régulièrement le sac de filtration. Des débris excessifs peuvent empêcher le moteur de fonctionner correctement et raccourcir la durée de fonctionnement.

REMARQUE : la batterie lithium-ion rechargeable est classée comme une marchandise consommable. Elle a une durée de vie limitée et perdra progressivement sa capacité de charge. Par conséquent, le temps de fonctionnement de l'aspirateur de piscine diminuera progressivement après des charges et décharges répétées tout au long de sa durée de vie.

Une fois que la durée de vie de la batterie arrive à son terme, reportez-vous à la section «ÉLIMINATION DES BATTERIES» pour les instructions concernant l'élimination de la batterie.

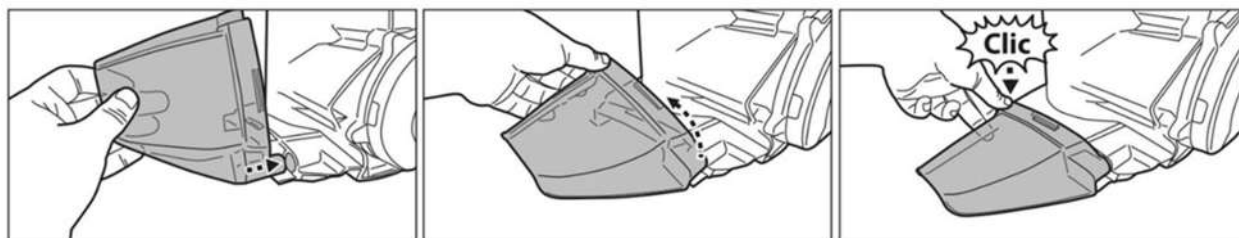
REMARQUE : Ne mettez pas en marche l'aspirateur pendant environ 30 à 40 minutes avant de le recharger.

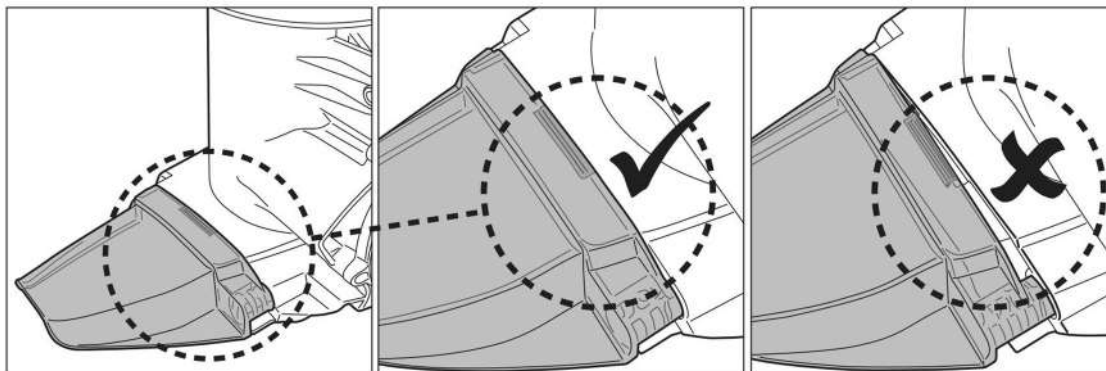
Réglage avant l'utilisation

Cet aspirateur de piscine a des extensions amovibles qui peuvent être retirées pour nettoyer les zones étroites.

Assemblage des extensions latérales

Insérez la tige de l'extension dans le trou sur le côté du corps principal. Tournez l'extension et appuyez dessus pour la fixer au corps principal. Vous entendrez un « click ».



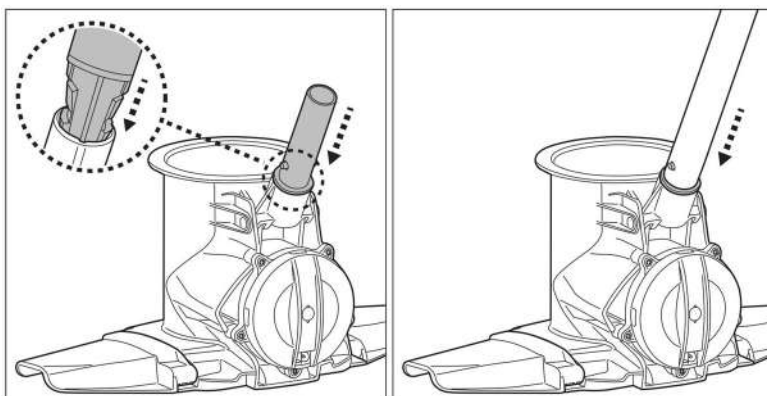


Démontage des extensions latérales

Inversez les étapes pour démonter les extensions de l'unité principale.

Assemblage de la poignée / connecteur pour manche télescopique

Alignez et insérez la poignée / le connecteur pour manche dans le montant comme indiqué. Faites glisser le manche télescopique dans le connecteur de manche jusqu'à ce que les trous sur le côté du manche télescopique soient fixés aux broches du connecteur de manche.



Fixation du sac de filtration

Remarque : Si la piscine contient trop de sable fin et de boue, utilisez un sac de filtration fine.



Disposer le sac de filtration sur l'ouverture du haut du corps principal de l'aspirateur. Assurez-vous que le cordon du sac soit placé sous la bride de l'ouverture.



Appuyez sur l'attache du cordon et puis tirez sur le cordon en le poussant sous la bride.

Conseil : Pour fixer le sac filtrant, lorsque vous poussez l'attache du cordon sous la bride, tirez sur un seul cordon des deux cordons comme indiqué sur le schéma.



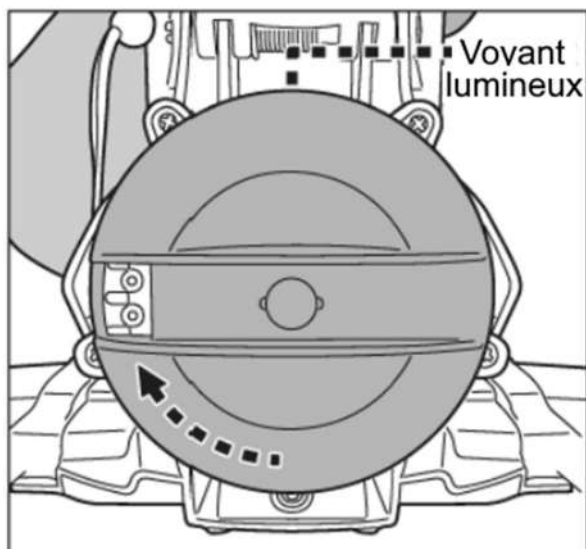
Soulevez le sac pour vous assurer qu'il est totalement attaché avant de déployer l'aspirateur de piscine dans l'eau.

Préparation de la piscine

- Si le liner est cassant, endommagé ou froissé, contactez un professionnel qualifié pour effectuer les réparations nécessaires ou effectuer un remplacement du liner avant d'utiliser l'aspirateur de piscine.
- Si vous utilisez une piscine d'eau salée, assurez-vous que tout le sel soit dissous avant de placer l'aspirateur de piscine dans l'eau.

FONCTIONNEMENT

- 1) Mettre votre aspirateur de piscine sur le côté de votre piscine. Tournez le bouton dans le sens des aiguilles d'une montre jusqu'à ce qu'il « click », cela exposera les capteurs d'eau. Le voyant deviendra bleu. Plongez le dans l'eau, la lumière deviendra immédiatement verte et la turbine commencera à tourner après 4-5 secondes.

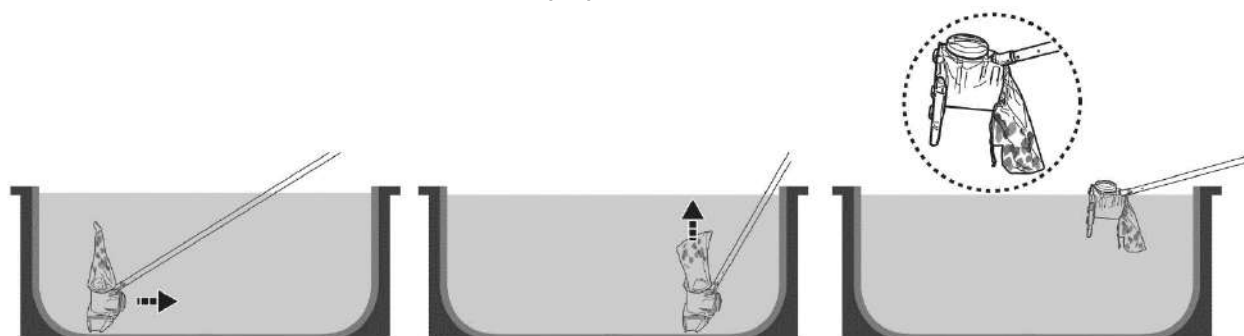


Couleur du voyant	
Bleu	Mise sous tension (prêt à l'emploi)
Bleu-clignotement	Le niveau de la batterie est faible.
Vert	En marche
Vert-clignotement	Le niveau de la batterie est faible.
Voyant vert éteint	Batterie épuisée (à recharger)
Rouge	Turbine arrêtée (turbine bloquée)

Placez l'aspirateur de piscine à plat sur le sol de la piscine. Déplacez-le en direction des débris avec des mouvements réguliers, cela aspirera les débris par le bas, ils seront collectés dans le sac d'aspiration.

De trop de gros débris/saleté, peuvent bloquer la turbine, qui s'arrêtera automatiquement pour protéger le moteur, le voyant lumineux deviendra rouge. Retirez l'aspirateur de la piscine et éteignez-le avant de le déboucher et de vider le sac filtrant si celui-ci est plein. Pour reprendre l'opération, tournez le bouton dans le sens inverse des aiguilles d'une montre jusqu'à ce qu'il clique sur « arrêt », puis tournez-le à nouveau dans le sens des aiguilles d'une montre sur « marche ».

2) Pour récupérer l'aspirateur de la piscine, amenez-le au bord de la piscine et retourner-le à l'envers avant de le soulever. Ceci permettra aux débris de ne pas se disperser dans la piscine (surtout si vous utilisez le sac de filtration fine) et pour éviter de tordre le manche télescopique.



voyant LED deviendra bleue.

Si le niveau de la batterie est faible, le voyant bleue clignote.

3) Rincez l'aspirateur de la piscine avec de l'eau douce après chaque utilisation. N'utiliser PAS de détergent agressif.

4) Séchez soigneusement le port de charge et les broches (Conseil : utilisez un coton-tige pour les sécher)

VIDER LE SAC DE FILTRATION

MISE EN GARDE ! Assurez-vous que l'aspirateur est éteint avant de nettoyer le sac de filtration. Placez l'aspirateur sur une surface plate. Appuyez sur l'attache du cordon pour libérer le sac du corps principal. Il est recommandé de nettoyer le sac de filtration avec un jet d'eau. Si vous devez le brossez, utilisez uniquement une brosse douce pour le nettoyer soigneusement et délicatement afin d'éviter tout dommage.

MAINTENANCE ET STOCKAGE

NOTE :

1. La batterie se décharge de par elle-même durant le stockage. S'assurer de charger la batterie à 30% - 50% de sa capacité avant de ranger l'aspirateur
2. Vous devez recharger la batterie au moins une fois tous les trois mois lorsqu'elle n'est pas utilisée.
 - Débrancher l'adaptateur externe de la prise et débrancher le câble de la prise de charge.
 - Séparer les accessoires de l'aspirateur de piscine. Si nécessaire, rincer l'aspirateur de piscine et les accessoires à l'eau douce. Ne pas utiliser de savon agressif.
 - Séchez l'aspirateur avant le stockage
 - Utiliser un chiffon humide pour nettoyer et sécher l'aspirateur de piscine et ses accessoires.
 - Les ranger dans une zone bien aérée éloignée de la lumière du soleil, de la chaleur, des sources d'ignition et des produits chimiques pour la piscine et tenir hors de la portée des enfants. La température ambiante de stockage doit être de 10°C – 25°C.

NOTE : Une température de stockage plus élevée peut réduire la vie de la batterie.

AVERTISSEMENT !

- Ne jamais tenter d'une façon quelconque de démonter l'aspirateur de piscine.
- En aucun cas, vous ne devez tenter de démonter l'aspirateur de piscine et de remplacer la turbine, le moteur et la batterie de par vous-même.

MISE EN GARDE !

- La chaleur excessive peut endommager la batterie et réduire par conséquent sa durée de vie.
- Consultez votre revendeur concernant le remplacement de la batterie si :
 - La batterie ne charge pas complètement.
 - Le temps de fonctionnement de la batterie est significativement réduit. Observer et noter le temps de fonctionnement pendant les premières utilisations (à pleine charge). Utiliser cette information comme point de référence pour comparer le temps de fonctionnement.
- La batterie doit être retirée de l'aspirateur de piscine avant d'être éliminée.
- La batterie doit être éliminée sous une forme sûre et conformément aux ordonnances ou réglementations locales.

NOTE : Une maintenance incorrecte peut réduire la durée de vie de la batterie et affecter de ce fait sa capacité.

ÉLIMINATION DES BATTERIES (réaliser par un technicien agréé)

Votre aspirateur de piscine est équipé d'un bloc de batteries rechargeables au lithium (aucune maintenance nécessaire), qui doit être éliminé correctement. Son recyclage est requis ; veuillez contacter les autorités locales de votre région pour une plus ample information.

AVERTISSEMENT !

Ne jamais tenter de démonter un bloc de batteries

- Retirer tous les objets personnels tels que bagues, bracelets, colliers et montres lorsque le bloc de batteries n'est pas connecté à l'aspirateur de piscine.
- Une batterie peut produire un courant de court-circuit suffisamment élevé pour souder une bague (ou un article similaire) en métal, causant ainsi une grave brûlure dans le processus.
- Porter un protecteur complet pour les yeux, des gants et des vêtements de protection lorsque le bloc de batteries est retiré.
- Éviter absolument de toucher les fils et éviter de leur permettre de faire contact avec tous objets métalliques, ce qui pourrait causer une émission d'étincelles et/ou court-circuiter la batterie.
- Ne jamais fumer ni permettre qu'une étincelle ou une flamme ne se produise dans le voisinage de la batterie ou de l'aspirateur de piscine.
- Ne pas exposer la batterie au feu ou à une chaleur intense car cela pourrait produire une explosion.

MISE EN GARDE !

Si une fuite de la batterie se produit, éviter le contact avec les liquides de fuite et placer la batterie endommagée dans un sac en plastique.

- Si les liquides de fuite entrent en contact avec la peau et les vêtements, les laver immédiatement avec une grande quantité de savon et d'eau.
- Si les liquides de fluides entrent en contact avec les yeux, ne pas se frotter les yeux, rincer immédiatement les yeux à l'eau courante froide pendant 15 minutes au moins et ne pas les frotter. Demander une assistance médicale le plus rapidement possible.

Comment retirer le bloc de batteries

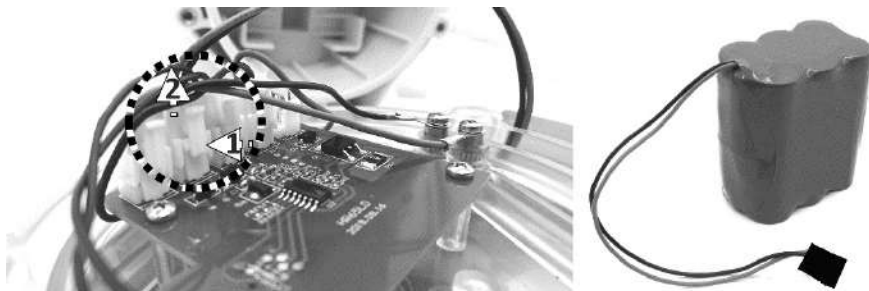
Outils recommandés (non inclus) : Tournevis.

AVERTISSEMENT ! L'aspirateur de piscine doit être débranché du secteur avant de retirer la batterie.

1. Placez l'aspirateur de piscine sur une surface plate. Utilisez le tournevis pour desserrer les vis du couvercle arrière. Retirez la batterie du module.



2. Pour détacher le fil de connexion de la batterie, appuyez sur le clip du connecteur pour le retirer. **REMARQUE** : Enveloppez immédiatement le connecteur avec du ruban isolant afin d'éviter tout court-circuit provoqué par le contact des deux bornes de fil.



REPÉRAGE DE PANNES

Problème	Cause possible	Solution
Le nettoyeur ne commence pas à travailler sous l'eau (après 5 à 10 secondes)	Capteurs d'eau tachés	Les taches peuvent être éliminées en utilisant un coton-tige imbibé de jus de citron ou de vinaigre pour nettoyer les zones autour des capteurs d'eau.
	La batterie est épuisée	Recharger la batterie.
L'aspirateur de piscine ne capture pas les débris	Batterie faible	Recharger la batterie.
	La turbine est bloquée	Retirez l'aspirateur de piscine de l'eau et tournez le bouton dans le sens inverse des aiguilles d'une montre pour éteindre l'aspirateur. Vérifiez si la turbine est coincée par de gros débris. Retirez les débris. Si nécessaire, contactez votre revendeur pour plus d'instructions. AVERTISSEMENT ! Assurez-vous que l'aspirateur de piscine est éteint avant d'effectuer l'entretien de l'unité.
	La turbine est cassée	Contactez votre concessionnaire pour le remplacement de la turbine.
	Le filtre est plein / obstrué	Nettoyer le filtre.
Le temps de charge est plus long que spécifié	Broches de charge tachées	Les taches peuvent être éliminées en utilisant un coton-tige imbibé de jus de citron ou de vinaigre pour nettoyer les zones autour des capteurs d'eau.
L'aspirateur de piscine ne peut pas être chargé / rechargé	La batterie est endommagée	Contactez le concessionnaire pour le remplacement de la batterie. AVERTISSEMENT ! NE PAS ouvrir l'aspirateur de piscine et remplacer la batterie de par vous-même. Cela pourrait causer des blessures graves ou mortelles et la garantie serait annulée de ce fait.
	La prise de charge n'est pas correctement connectée à l'adaptateur externe et à l'aspirateur.	Reportez-vous au manuel d'instructions afin de connecter correctement les accessoires de charge.
	L'adaptateur externe n'est plus en état de marche	Contactez votre concessionnaire pour le remplacer. AVERTISSEMENT ! L'utilisation d'un adaptateur externe incorrect donnera pour résultat l'endommagement de l'aspirateur de piscine / batterie et annulera de ce fait la garantie.

Programmes environnementaux, Directive européenne DEEE



Veillez respecter les réglementations de l'Union européenne et aider à protéger l'environnement. Portez les équipements électriques qui ne fonctionnent pas à une installation désignée par votre municipalité qui recycle correctement les équipements électriques et électroniques. Ne les jetez pas dans des poubelles sans triage. Pour les articles contenant des batteries démontables, retirer les batteries avant d'éliminer le produit.

Si vous avez besoin d'une copie sur papier de ce manuel d'instructions, veuillez contacter notre service clientèle par email : customerservice@kokido.com

CONSERVEZ CES INSTRUCTIONS

VEILIGHEIDSWAARSCHUWINGEN &

INSTRUCTIES

Lees en volg alle instructies in deze handleiding en op de apparatuur. Als u dit niet doet, kan dit leiden tot ernstig of dodelijk letsel.

BEWAAR DEZE INSTRUCTIES

WAARSCHUWING!

- Dit is GEEN SPEELGOED. Kinderen moeten buiten bereik van de zwembadstofzuiger en de accessoires worden gehouden.
- Laat kinderen dit product nooit bedienen.
- Deze zwembadstofzuiger is niet bedoeld voor gebruik door iemand met verminderde fysieke, sensorische of mentale vermogens en/of een gebrek aan ervaring en kennis, tenzij deze instructies hebben gekregen over het apparaat en onder toezicht staan van de persoon die verantwoordelijk is voor hun veiligheid.
- Kinderen mogen niet met dit product spelen
- Reiniging en gebruikersonderhoud mogen niet door kinderen worden uitgevoerd
- Zorg ervoor dat de zwembadstofzuiger volledig in water is ondergedompeld voordat u de werking start. Het minimale waterniveau dat vereist is om de zwembadstofzuiger te laten werken, moet de gehele zwembadstofzuiger bedekken. Als u de zwembadstofzuiger gebruikt wanneer deze niet correct in het water is ondergedompeld, kan dit het apparaat beschadigen en de garantie ongeldig maken.
- De maximale werkdiepte in water is 3 meter.
- Bedrijfstemperatuur water: 5°C – 35°C
- Gebruik alleen de afneembare voedingseenheid (externe adapter) die bij de zwembadstofzuiger wordt geleverd om de batterij op te laden.
-  Afneembare voedingseenheid (externe adapter)
- Sluit de externe adapter aan op een stroombron via een stroomvoorzieningapparaat (RCD)/ een aardlekschakelaar (GFCI). Raadpleeg bij twijfel een gekwalificeerde professionele elektricien.
- Gebruik deze zwembadstofzuiger niet als er schade wordt vastgesteld.
- Vervang beschadigde onderdelen zo snel mogelijk. Gebruik alleen onderdelen die zijn gecertificeerd door de distributeur of fabrikant.
- Schakel de zwembadstofzuiger uit, koppel de externe adapter los van de stroombron en haal de stekker uit de laadstekker voordat u de laadstekker loskoppelt van de zwembadstofzuiger.
- Koppel de zwembadstofzuiger los van het elektriciteitsnet en zorg ervoor dat de zwembadstofzuiger is uitgeschakeld voordat u onderhoud uitvoert, zoals het reinigen van de filterzak.
- De geïnstalleerde batterij is een oplaadbare Li-ionbatterij. Probeer die nooit te vervangen.

- De zwembadstofzuiger mag alleen worden opgeladen met de externe adapter en laadstekker die bij dit product worden geleverd.
- Raak de zwembadstofzuiger, de externe adapter en de laadstekker NIET aan met natte ledematen en zonder schoenen, terwijl deze wordt opgeladen.
- Gebruik deze zwembadstofzuiger niet wanneer er mensen/huisdieren in het water aanwezig zijn.
- Gebruik deze zwembadstofzuiger NIET zonder een intacte filterzak, anders vervalt de garantie.
- Beknellingsgevaar door zuigkracht: deze zwembadstofzuiger genereert afzuiging. Zorg ervoor dat haar, lichaam en losse delen van uw kleding niet in contact komen met het zuigpunt van de zwembadstofzuiger tijdens de werking.
- Steek nooit lichaamsdelen, kleding en andere voorwerpen in de openingen en bewegende delen van de zwembadstofzuiger.
- Gebruik de zwembadstofzuiger NIET om giftige stoffen, ontvlambare en brandbare vloeistoffen zoals benzine op te zuigen en in aanwezigheid van explosieve of ontvlambare dampen.
- Probeer in geen geval zelf de zwembadstofzuiger te demonteren en de waaier, motor en batterij zelf te vervangen.
- Steek nooit vingers en voorwerpen in de stofzuiger om de waaier te raken.
- Deze zwembadstofzuiger mag niet door kinderen worden gebruikt.
- De batterij moet door een expert uit de zwembadstofzuiger worden verwijderd voordat deze wordt afgedankt.
- De zwembadstofzuiger moet worden losgekoppeld van de netvoeding wanneer de batterij wordt verwijderd.
- Raadpleeg het gedeelte "Batterij weggooien" in deze handleiding voor meer informatie over het wegwerpen van batterijen.
- De batterij moet veilig worden weggegooid in overeenstemming met de plaatselijke verordeningen of voorschriften.
- De zwembadstofzuiger bevat een onderhoudsvrije, oplaadbare lithium-ionbatterij, die op de juiste manier moet worden afgevoerd. Recycling is vereist; neem contact op met uw lokale autoriteiten voor meer informatie.
- Externe adapter en laadstekker:
 - Gebruik de externe adapter en laadstekker nooit voor iets anders dan het opladen van de batterij van de zwembadstofzuiger die in hetzelfde pakket wordt meegeleverd.
 - De externe adapter en oplaadstekker mogen niet buitenshuis worden gebruikt en mogen ook niet worden blootgesteld aan regen, vocht, vloeistoffen of hitte.
 - De transformator (of externe adapter) moet zich buiten zone 1 bevinden.
 - Houd de externe adapter en oplaadstekker buiten bereik van kinderen.
 - Gebruik nooit de externe adapter en laadstekker als er schade wordt gedetecteerd.

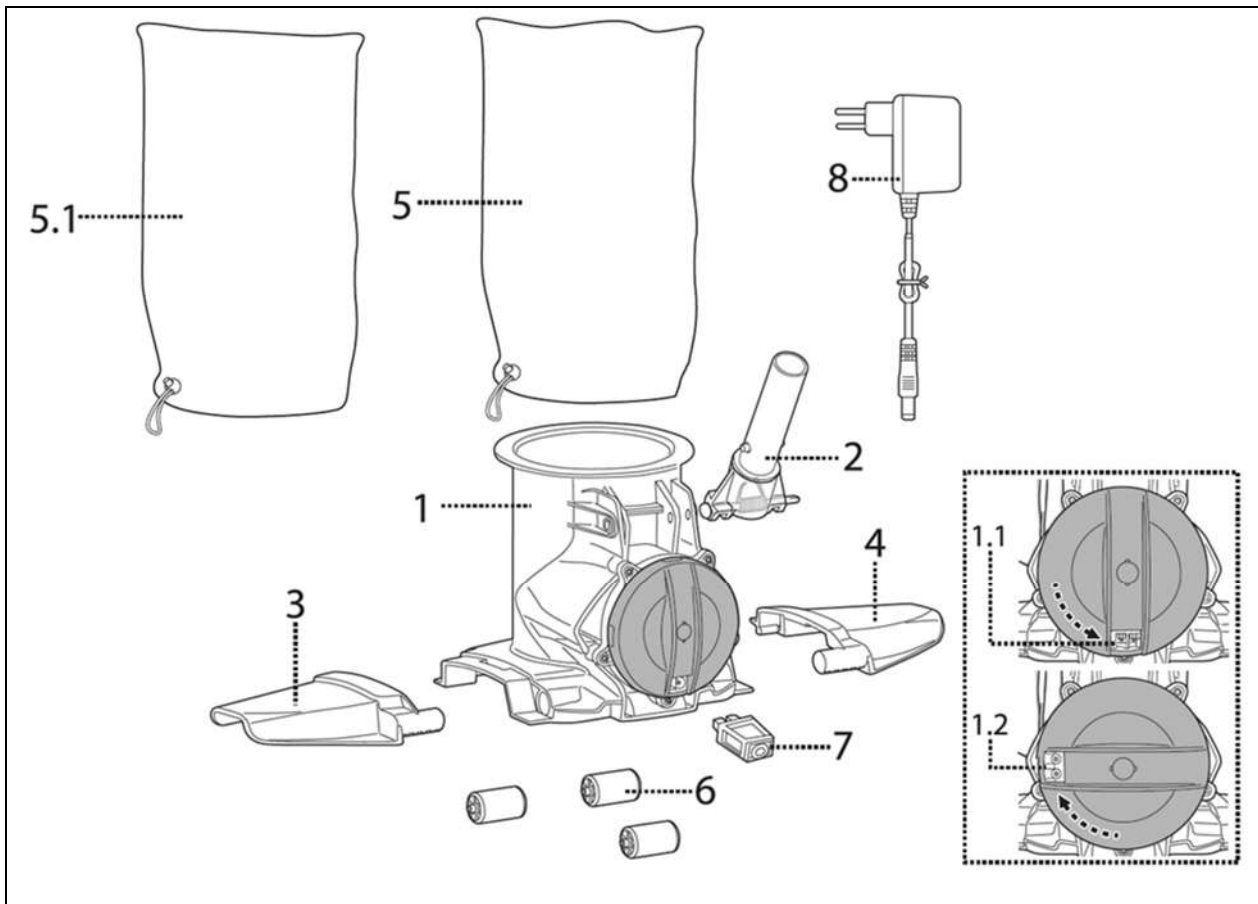
- Raak de externe adapter en de oplaadstekker NIET met natte handen aan.
- Steek de externe adapter niet in een oplaadstekker wanneer deze niet in gebruik is.
- Probeer nooit de externe adapter te ontleden.
- Als het netsnoer beschadigd is, moet het worden vervangen door de fabrikant, zijn serviceagent of een even gekwalificeerd persoon om gevaren te voorkomen.
- Zorg ervoor dat de zwembadstofzuiger volledig droog is voordat u deze oplaadt.

OPGEPAST!

- Deze zwembadstofzuiger is alleen bedoeld voor gebruik onder water; het is geen alleszuiger. Probeer de stofzuiger NIET te gebruiken om iets anders dan uw zwembad schoon te maken.
- Gebruik alleen originele accessoires die bij dit product zijn geleverd.
- Gebruik deze zwembadstofzuiger NIET direct na het toepassen van chloorshock. Het wordt aanbevolen om het zwembad eerst minimaal 24-48 uur te laten circuleren.
- Als u van plan bent om de zwembadstofzuiger in een zoutwaterzwembad te gebruiken, zorg er dan voor dat al het zout is opgelost voordat u het in het water plaatst.
- Het wordt afgeraden om deze zwembadstofzuiger tegelijkertijd met een andere reiniger te gebruiken.
- Pak geen harde, scherpe voorwerpen op met dit product, omdat deze de zwembadstofzuiger en de filter kunnen beschadigen.
- Om schade aan de externe adapter en de laadstekker te voorkomen, mag u de zwembadstofzuiger niet dragen via de kabel van de externe adapter of mag u niet aan de kabel trekken in de hoop deze los te koppelen van de stroombron en de laadstekker.
- Laad de zwembadstofzuiger binnenshuis in een schone, droge ruimte met goede ventilatie en uit de buurt van zonlicht.
- Laat de zwembadstofzuiger NIET langer dan 10 uur opladen.
- Als de zwembadstofzuiger gedurende langere tijd niet wordt gebruikt, maak hem dan van de laadstekker los en gebruik een vochtige doek om de zwembadstofzuiger en de accessoires schoon te maken en te drogen. Zorg ervoor dat u de zwembadstofzuiger oplaadt tot ongeveer 30% tot 50% van de batterijcapaciteit voordat die wordt opgeslagen. Bewaar in een goed geventileerde ruimte, uit de buurt van zonlicht, hitte, ontstekingsbronnen, chemicaliën in het zwembad en kinderen. Laad de zwembadstofzuiger om de drie maanden op.
- Alle acties met betrekking tot het demonteren van de hoofdeenheid (d.w.z. batterijverwijdering) kunnen alleen worden uitgevoerd door een geautoriseerde technicus.

Bovenstaande waarschuwingen en aandachtspunten zijn niet bedoeld om alle mogelijke gevallen van risico's en/of ernstig letsel op te nemen. Eigenaren van zwembaden/spa's moeten altijd extra voorzichtig zijn en gezond verstand gebruiken bij het gebruik van het product.

HOE DE ZWEMBADSTOFZUIGER WERKT



		Vervangend nummer			Vervangend nummer
1.	Hoofdeenheid	EV90ASM04	5.	Normale filterzak x 1	EV90-06-001
1.1	Oplaadpoort (met 2 oplaadpunten voor opladen)	-----	5.1	Fijnfilterzak (voor het filteren van fijne deeltjes) x 1	EV90-06-002
1.2	Watersensoren	-----			
2.	Handgreep/Telescopische paalverbinding (met connector en veer)	EV90ASM01	6.	Wiel x 3	EV90ASM03
3.	Extensie links	EV90ASM02	7.	Oplaadstekker	EV90-09
4.	Extensie rechts		8.	Adapter	EV90-08-002 (alleen voor EU)

VAN START GAAN

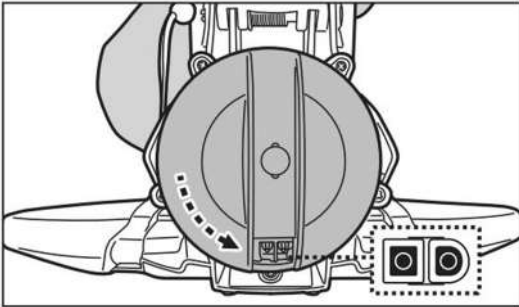
Batterij opladen

BELANGRIJKE OPMERKING: laad de zwembadstofzuiger volledig op (ongeveer 5-6 uur) voordat u het voor de eerste keer gebruikt.

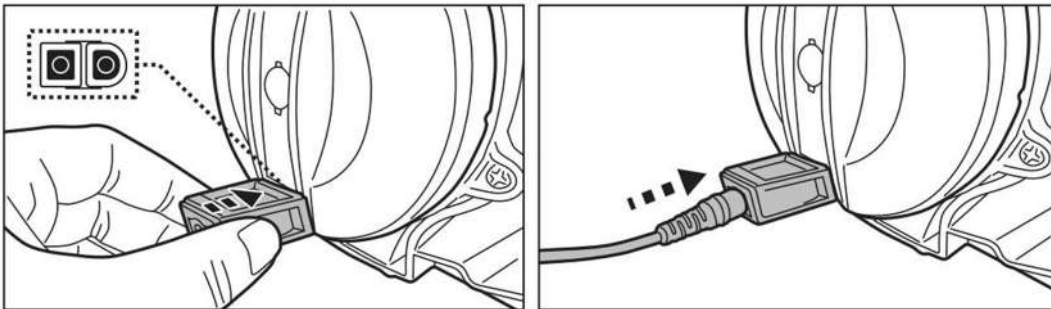
WAARSCHUWING!

- Gebruik alleen de originele externe adapter en meegeleverde oplaadstekker.
- Zorg ervoor dat de zwembadstofzuiger en de oplaadpoort schoon en droog zijn vooraleer het instellen van de stofzuiger.

1.



Plaats het apparaat op een vlakke ondergrond. Stel de zwembadstofzuiger in op Uitschakelen/Opladen door de schakelknop linksom te draaien totdat deze klikt en de oplaadpoort volledig zichtbaar is.

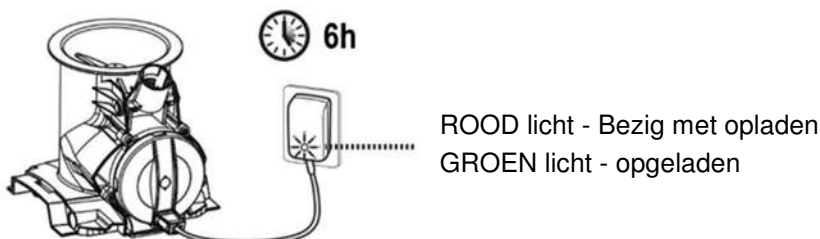


Lijn de oplaadstekker uit en sluit deze aan op de oplaadpoort.

WAARSCHUWING! Zorg ervoor dat u de laadstekker niet omkeert en zorg ervoor dat zowel de laadstekker als de oplaadpoort schoon en droog zijn voordat u ze oplaadt. TIPS: Gebruik een wattenstaafje om de oplaadpoort en punten te drogen.

Steek de laadkabel van de externe adapter in de laadstekker.

2. Sluit de externe adapter aan op de stroombron. Het indicatielampje op de externe adapter wordt rood als de stofzuiger wordt opgeladen en groen als die volledig is opgeladen. Laad hem gedurende 6 uur op voor de beste prestaties.



- Koppel de externe adapter onmiddellijk los van de stroombron als u een van de volgende dingen ontdekt:
 - Aanstootgevende of ongebruikelijke geur
 - Extreme hitte
 - Vervorming, scheuren, lekken
 - Rook
3. Wanneer het opladen is voltooid, koppelt u de externe adapter los van de stroombron en haalt u de laadkabel uit de laadstekker. Trek de oplaadstekker uit het hoofdapparaat. **WAARSCHUWING!** Laat de laadstekker nooit in de stofzuiger terwijl die in het water is..

Normaal gesproken is de zwembadstofzuiger ontworpen om maximaal 75 minuten op een volledige lading te werken.

Opmerking: leeg de filterzak regelmatig. Overmatig vuil verhoogt de belasting van de motor en kan de bedrijfstijd verkorten.

OPMERKING: de oplaadbare lithium-ionbatterij is geclassificeerd als verbruiksartikel. Het heeft een beperkte levensduur en verliest geleidelijk zijn capaciteit om een lading vast te houden. Daarom zal de looptijd van de zwembadstofzuiger geleidelijk verminderen na herhaald laden en ontladen gedurende de hele levensduur van het product.

Zodra de levensduur van de batterij ten einde is, raadpleegt u de paragraaf "VERWIJDERING VAN DE BATTERIJ" voor instructies over het weggooien van de batterij.

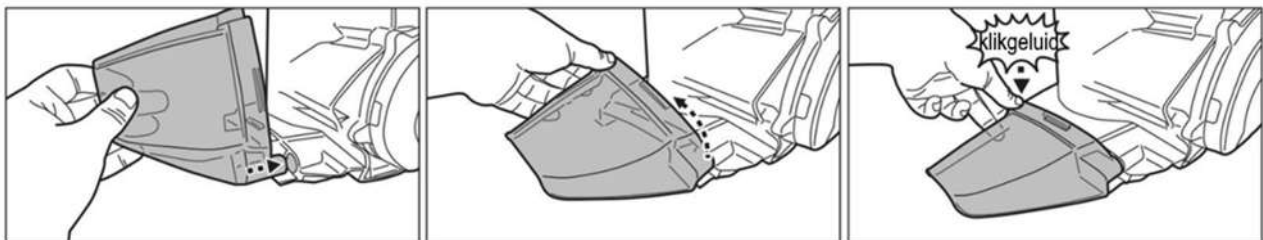
OPMERKING: Laat de zwembadstofzuiger ongeveer 30 tot 40 minuten rusten voordat u die opnieuw oplaadt.

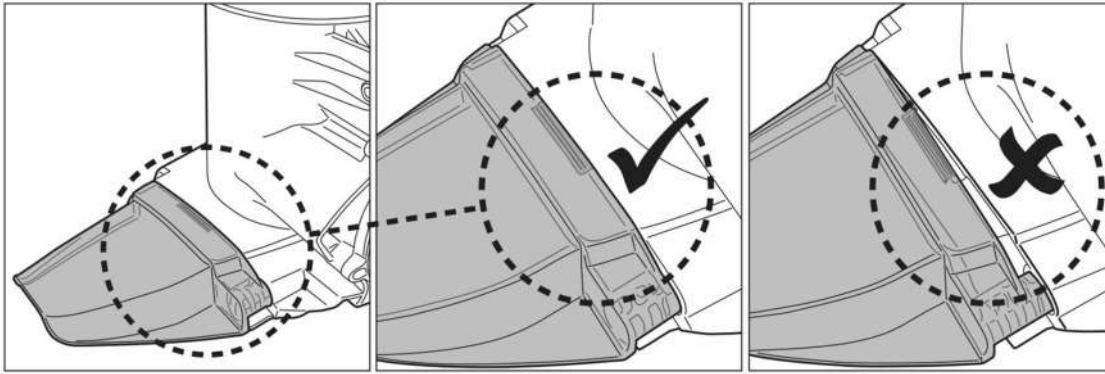
Instellen voor gebruik

Deze zwembadstofzuiger heeft verwijderbare extensies die kunnen worden verwijderd om de smalle gebieden schoon te maken.

Extensie monteren

Steek de steel van de vleugel in het gat aan de zijkant van het hoofdlichaam. Draai de vleugel en druk erop om deze aan het hoofdlichaam te bevestigen. U hoort een "klikgeluid".



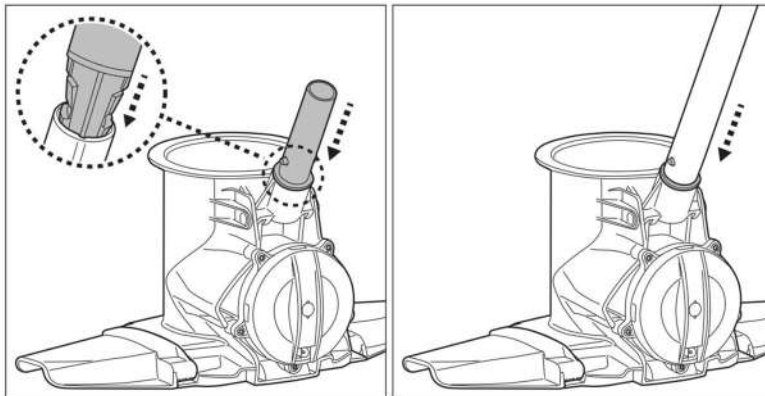


Extensie demonteren

Keer de stappen om om de extensie van het hoofdapparaat te demonteren.

Handgreep/Telescopische paalverbinding monteren

Lijn de handgreep/paalverbinding uit en plaats deze in de stijl zoals afgebeeld. Schuif de telescopische paal in de paalverbinding totdat de gaten aan de zijkant van de telescopische paal vastzitten aan de pinnen van de paalverbinding.



Filterzak monteren

Opmerking: gebruik een fijne filterzak als het zwembad te vuil is met fijn zand en modder.



Spreid de filterzak over de bovenste opening van de hoofdbehuizing van de zwembadstofzuiger. Zorg ervoor dat het koord van de zak onder de flens van de bovenste opening is geplaatst.



Houd het snoer vast, druk op het snoer en duw het onder de flens.

TIPS: Om de filterzak vast te zetten, trekt u, wanneer u de koordbevestiging onder de flens duwt, aan één koord in plaats van twee koorden, zoals aangegeven in het diagram.



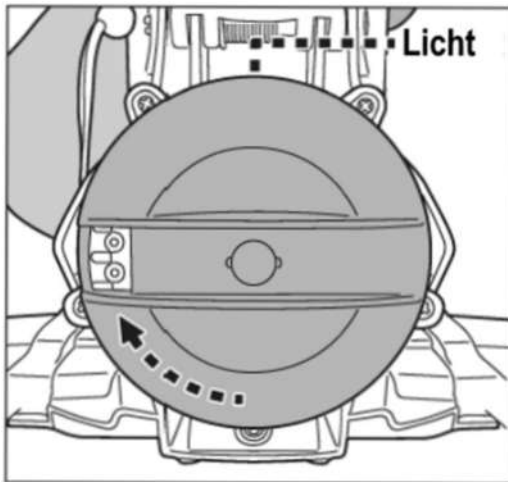
Til de zak op om ervoor te zorgen dat deze volledig is beveiligd voordat u de zwembadstofzuiger in water plaatst.

Vorbereiding zwembad

- Als de liner broos, beschadigd of gerimpeld is, neem dan contact op met een gekwalificeerde professional om de nodige reparaties uit te voeren of de liner te vervangen voordat u de zwembadstofzuiger gebruikt.
- Als u een zoutwaterzwembad gebruikt, zorg er dan voor dat al het zout is opgelost voordat u de zwembadstofzuiger in het water plaatst.

GEBRUIK

- 1) Breng uw zwembadstofzuiger naar de zijkant van uw zwembad. Draai de schakelknop met de klok mee totdat deze klikt om de watersensoren bloot te leggen. Het licht bovenaan wordt blauw. Dompel de zwembadstofzuiger onder in water, het licht wordt onmiddellijk groen en de waaier begint na 4-5 seconden te draaien.

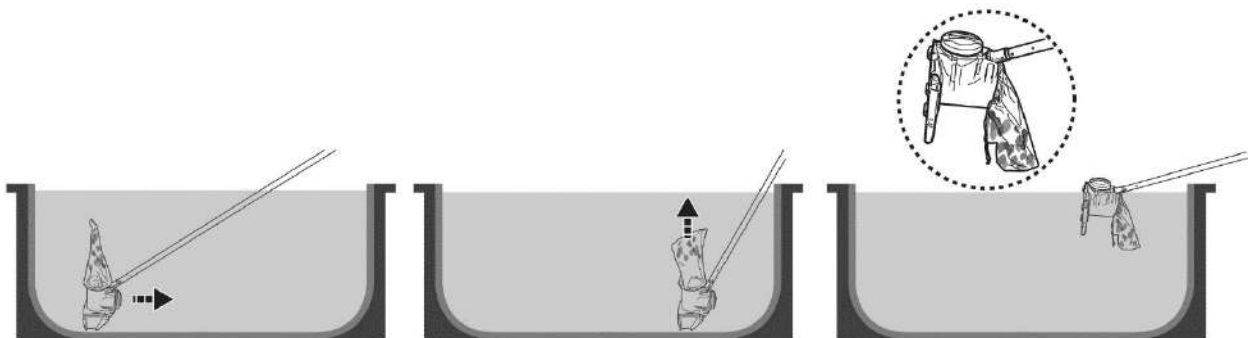


Kleur licht	
Blauw	Ingeschakeld (klaar voor gebruik)
Blauw-Flikkerend	Batterijniveau is laag
Groen	In bedrijf
Groen-Flikkerend	Batterijniveau is laag
Groen licht uit	Batterij is leeg (moet worden opgeladen)
Rood	Waaier stopt (waaier verstopt).

Om vuil effectief op te zuigen, moet u ervoor zorgen dat de zwembadstofzuiger plat op de vloer van het zwembad wordt gelegd terwijl u de stofzuiger in regelmatige beweging heen en weer over afvalresten stuurt om de resten op te vangen. Vuil wordt verzameld aan de voorkant, zij- en achterkant om de filterzak op te vullen.

Overmatig vuil en afval in het zwembad kunnen de waaier verstoppem, die automatisch zou stoppen om de motor te beschermen en het indicatielampje zou rood worden. Verwijder de stofzuiger uit het zwembad en schakel de stofzuiger uit voordat u de filterzak ontstopt en leegmaakt als deze vol is. Om de werking te hervatten, draait u de schakelknop linksom totdat Uitschakelen is geselecteerd en draait u de knop vervolgens met de klok mee om Inschakelen te selecteren.

- Om de zwembadstofzuiger te verwijderen, brengt u de stofzuiger naar het zwembad en draait u hem ondersteboven voordat u hem optilt. Dit wordt gedaan om te voorkomen dat puin zich terug in het zwembad verspreidt (vooral als u de fijne filterzak gebruikt) en om te voorkomen dat de paal daarbij wordt gebogen.



Zodra de zwembadstofzuiger uit het water is, stopt de waaier binnen 2-3 seconden met draaien. Het LED-lampje wordt blauw. Wanneer het batterijniveau laag is, knippert het blauwe lampje.

- Spoel de zwembadstofzuiger na elk gebruik met zoet water. Gebruik GEEN agressieve schoonmaakmiddelen..
- Droog de laadpoort en pinnen grondig (TIPS: gebruik wattenstaafje om ze te drogen)

FILTERZAK LEGEN

OPGEPAST! Zorg ervoor dat de zwembadstofzuiger UIT is voordat u de filterzak schoonmaakt.

Plaats de stofzuiger op een vlakke ondergrond. Druk op de koordsluiting om de zak van het hoofdgedeelte te halen. Het wordt aanbevolen om de filterzak met spatwater te reinigen. Als borstelen noodzakelijk wordt geacht, gebruik dan alleen een zachte borstel om het voorzichtig schoon te maken om schade te voorkomen.

ONDERHOUD & OPSLAG

OPMERKING:

1. De batterij ontladst vanzelf tijdens opslag. Zorg ervoor dat u de zwembadstofzuiger oplaadt tot ongeveer 30% tot 50% van de batterijcapaciteit voordat die wordt opgeslagen.
2. U moet de batterij minstens eenmaal per drie maanden opladen als deze niet in gebruik is.
 - Trek de externe adapter uit het stopcontact en de laadkabel uit de laadstekker.
 - Maak accessoires los van de zwembadstofzuiger. Spoel indien nodig het zwembadvacuüm en de accessoires met zoet water. Gebruik GEEN agressief schoonmaakmiddel.
 - Zorg ervoor dat u de zwembadstofzuiger droogt voordat u die opbergt.
 - Gebruik een vochtige doek om de zwembadstofzuiger en de accessoires te reinigen en te drogen.
 - Bewaar ze in een goed geventileerde ruimte, uit de buurt van zonlicht, hitte, ontstekingsbronnen, chemicaliën in het zwembad en van kinderen. De omgevingstemperatuur voor opslag moet 10°C - 25°C zijn. **OPMERKING:** Een hogere opslagtemperatuur kan de levensduur van de batterij verkorten.

WAARSCHUWING!

- Probeer in geen geval zelf de hoofdunit te demonteren en de waaier, motor en batterij zelf te vervangen.

OPGEPAST!

- Overmatige hitte kan de batterij beschadigen en de levensduur van uw zwembadstofzuiger verminderen.
- Raadpleeg uw dealer voor het vervangen van de batterij als het volgende gebeurt:
 - Batterij wordt niet volledig opgeladen.
 - De gebruiksduur van de batterij is aanzienlijk korter. Bekijk en noteer de looptijden van de eerste paar ingebruiknames (op volledige lading). Gebruik deze looptijden als referentiepunt voor vergelijking met looptijden in de toekomst.
- De batterij moet uit de zwembadstofzuiger worden verwijderd voordat deze wordt afgedankt.
- De batterij moet veilig worden weggegooid in overeenstemming met de plaatselijke verordeningen of voorschriften.

OPMERKING: Onjuist onderhoud kan de levensduur van de batterij verkorten en daardoor de capaciteit beïnvloeden.

VERWIJDERING VAN DE BATTERIJ (Uit te voeren door geautoriseerde technicus)

Uw zwembadstofzuiger is uitgerust met een onderhoudsvrije oplaadbare lithium-ionbatterij, die op de juiste manier moet worden weggegooid. Recycling is vereist; Neem contact op met uw lokale autoriteit voor meer informatie.

WAARSCHUWING! Probeer nooit een batterij uit elkaar te halen

- Verwijder alle persoonlijke items zoals ringen, armbanden, kettingen en horloges wanneer de accu niet is aangesloten op de zwembadstofzuiger.
- Een batterij kan een kortsluitstroom produceren die hoog genoeg is om een ring (of vergelijkbaar voorwerp) aan metaal te lassen, wat een ernstige brandwonde in het proces veroorzaakt.
- Draag volledige oogbescherming, handschoenen en beschermende kleding wanneer de batterij wordt verwijderd.
- Raak de draden helemaal niet aan en vermijd contact tussen de draden en metalen voorwerpen, die vonken en/of kortsluiting van de batterij kunnen veroorzaken.
- Rook nooit en laat geen vonk of vlam in de buurt van de batterij of de zwembadstofzuiger.
- Stel de batterij niet bloot aan vuur of intense hitte, omdat dit kan leiden tot een explosie.

OPGEPAST!

Als een batterij lekt, vermijd dan contact met de lekkende vloeistoffen en plaats de beschadigde batterij in een plastic zak.

- Als lekkende vloeistoffen in contact komen met huid en kleding, onmiddellijk wassen met veel zeep en water.
- Als lekkende vloeistoffen in contact komen met de ogen, wrijf ze dan niet uit en spoel ze onmiddellijk gedurende minimaal 15 minuten met koud stromend water. Roep zo snel mogelijk medische hulp in.

Hoe de batterij verwijderen

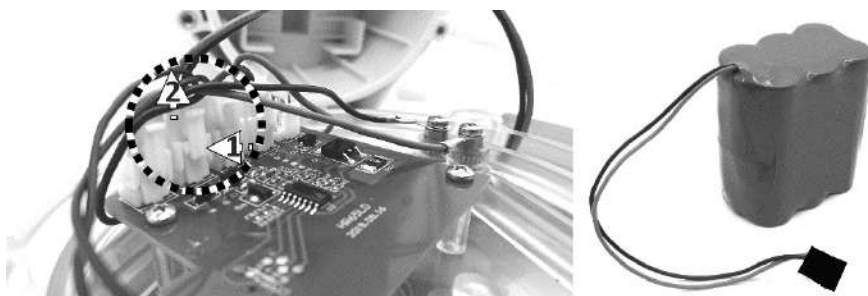
Aanbevolen gereedschap (niet inbegrepen): schroevendraaier.

WAARSCHUWING! De zwembadstofzuiger moet worden losgekoppeld van de netvoeding voordat u de accu verwijdert.

1. Plaats de zwembadstofzuiger op een vlakke ondergrond. Gebruik de schroevendraaier om de schroeven op de achterklep los te draaien. Verwijder de batterij uit de kamer.



2. Om de batterijverbindingsdraad los te maken, drukt u op de clip van de connector om deze eruit te trekken. **OPMERKING:** Wikkel de connector onmiddellijk met isolatietape in om kortsluiting door het contact van beide draadaansluitingen te voorkomen.



PROBLEMEN OPLOSSEN

Probleem	Mogelijke Oorzaak	Oplossing
Reiniger begint niet onder water te werken (na 5-10 seconden).	Bevlekte watersensoren	De vlekken kunnen worden verwijderd met een wattenstaafje gedrenkt in sap van citroen of azijn om de gebieden rond de watersensoren schoon te maken.
	Lege batterij	Laad de zwembadstofzuiger op.
Vangt het puin niet op	Lage batterij	Laad de zwembadstofzuiger op.
	Vastgelopen waaier	Verwijder de zwembadstofzuiger uit het water en draai de knop linksom om deze uit te schakelen. Controleer en kijk of de waaier is vastgelopen door groot vuil. Verwijder het vuil. Neem indien nodig contact op met uw dealer voor verdere instructies. WAARSCHUWING! Zorg ervoor dat de zwembadstofzuiger is uitgeschakeld voordat het apparaat wordt onderhouden.
	Gebroken waaier	Neem contact op met uw dealer voor vervanging.
	Filterzak is vol / verstopt	Reinig de filterzak.
De oplaadtijd is langer dan geadverteerd	Bevlekte oplaadpennen	De vlekken kunnen worden verwijderd met een wattenstaafje gedrenkt in sap van citroen of azijn om de gebieden rond de oplaadpennen schoon te maken.
Reiniger kan niet worden opgeladen	Beschadigde batterij	Neem contact op met dealer voor het vervangen van de batterij. WAARSCHUWING! Vervang de batterij NIET zelf. Dit kan ernstig of dodelijk letsel tot gevolg hebben en de garantie vervalt.
	Laadstekker is niet correct aangesloten op externe adapter en zwembadstofzuiger.	Raadpleeg de handleiding en sluit de oplaadaccessoires correct aan.
	Externe adapter is defect	Neem contact op met dealer voor vervanging. WAARSCHUWING! Het gebruik van de verkeerde externe adapter leidt tot beschadiging van de zwembadstofzuiger/batterij en maakt de garantie ongeldig.
Milieuprogramma's, WEEE Europese Richtlijn		
	<p>Respecteer de regelgeving van de Europese Unie en help het milieu te beschermen. Retourneer niet-werkende elektrische apparatuur naar een door uw gemeente aangewezen instelling die op gepaste wijze elektrische en elektronische apparatuur recycleert. Gooi ze niet in ongesorteerde afvalcontainers.</p> <p>Voor items die verwijderbare batterijen bevatten, verwijdert u de batterijen voordat u het product weggooit.</p>	

Als een kopie van deze handleiding vereist is, neem dan contact op met onze klantenservice via e-mail: customerservice@kokido.com


BEWAAR DEZE INSTRUCTIES

SICHERHEITSHINWEISE UND ANWEISUNGEN

Lesen und befolgen Sie alle Anweisungen in diesem Handbuch und auf dem Gerät. Andernfalls kann es zu schweren oder tödlichen Verletzungen kommen.

ANLEITUNG AUFBEWAHREN

WARNUNG!

- Dies ist KEIN SPIELZEUG. Kinder sollten von diesem Poolstaubsauger und dessen Zubehör ferngehalten werden.
- Lassen Sie niemals Kinder dieses Produkt bedienen.
- Dieser Poolstaubsauger ist nicht für Personen mit eingeschränkten körperlichen, sensorischen oder geistigen Fähigkeiten und/oder mangelnder Erfahrung und Kenntnissen vorgesehen, es sei denn, sie haben Anweisungen bezüglich des Geräts erhalten und stehen unter Aufsicht der für ihre Sicherheit verantwortlichen Person.
- Kinder dürfen nicht mit diesem Produkt spielen
- Reinigung und Wartung durch den Benutzer dürfen nicht von Kindern durchgeführt werden
- Stellen Sie sicher, dass das Poolvakuum vollständig in Wasser eingetaucht ist, bevor Sie den Betrieb aufnehmen. Der für den Betrieb des Poolvakuums erforderliche Mindestwasserstand muss das gesamte Poolvakuum abdecken. Wenn Sie den Poolstaubsauger betreiben, wenn er nicht richtig in das Wasser eingetaucht ist, kann das Gerät beschädigt werden und die Garantie erlischt.
- Die maximale Betriebstiefe im Wasser beträgt 3 Meter.
- Betriebswassertemperatur: 5°C – 35°C
- Verwenden Sie zum Laden des Akkus nur die abnehmbare Versorgungseinheit (externer Adapter), die mit diesem Poolstaubsauger geliefert wurde.
-  Abnehmbare Versorgungseinheit (externer Adapter)
- Schließen Sie den externen Adapter über ein Stromversorgungsgerät (RCD)/ einen Fehlerstromschutzschalter (FI-Schutzschalter) an eine Stromquelle an. Wenden Sie sich im Zweifelsfall an einen qualifizierten Elektriker.
- Verwenden Sie diesen Poolstaubsauger nicht, wenn Schäden festgestellt werden.
- Ersetzen Sie beschädigte Teile so schnell wie möglich. Verwenden Sie nur vom Händler oder Hersteller zertifizierte Teile.
- Schalten Sie den Poolstaubsauger aus, trennen Sie den externen Adapter von der Stromquelle und ziehen Sie ihn vom Ladestecker ab, bevor Sie den Ladestecker vom Poolstaubsauger abziehen.
- Trennen Sie das Poolvakuum vom Versorgungsnetz und stellen Sie sicher, dass das Poolvakuum ausgeschaltet ist, bevor Sie es warten, z. B. um den Filterbeutel zu reinigen.
- Der installierte Akku ist ein wiederaufladbarer Li-Ionen-Akku. Versuchen Sie niemals, es zu ersetzen.

- Der Poolstaubsauger darf nur mit einem mit diesem Produkt gelieferten externen Adapter und Ladestecker aufgeladen werden.
- Fassen Sie den Poolstaubsauger, den externen Adapter und den Ladestecker NICHT mit nassen Gliedmaßen und ohne Schuhe an, während er aufgeladen wird.
- Sie sollten diesen Poolstaubsauger nicht betreiben, wenn sich Personen/Haustiere im Wasser befinden.
- Verwenden Sie diesen Poolstaubsauger NICHT ohne einen intakten Filterbeutel, da sonst Ihre Garantie erlischt.
- Saugeinschlussgefahr: dieses Poolvakuum erzeugt eine Saugwirkung. Lassen Sie Haare, Körper und lose Teile Ihrer Kleidung während des Betriebs nicht mit dem Saugpunkt des Poolvakuums in Kontakt kommen.
- Führen Sie niemals Körperteile, Kleidung und andere Gegenstände in die Öffnungen und beweglichen Teile des Poolstaubsaugers ein.
- Verwenden Sie dieses Poolvakuum NICHT um giftige Substanzen, entflammbare und brennbare Flüssigkeiten wie Benzin aufzunehmen und in Gegenwart von explosiven oder brennbaren Dämpfen.
- Versuchen Sie unter keinen Umständen, das Poolvakuum zu zerlegen und das Laufrad, den Motor und die Batterie selbst auszutauschen.
- Führen Sie niemals Finger und Gegenstände ein, um das Laufrad zu berühren.
- Dieser Poolstaubsauger darf nicht von Kindern benutzt werden.
- Die Batterie muss von einem Fachmann aus dem Poolstaubsauger entfernt werden, bevor sie verschrottet wird.
- Das Poolvakuum muss vom Netz getrennt werden, wenn die Batterie entfernt wird.
- Ausführliche Informationen zur Batterieentsorgung finden Sie im Abschnitt "Batterieentsorgung" in diesem Handbuch.
- Die Batterie muss gemäß den örtlichen Verordnungen oder Vorschriften sicher entsorgt werden.
- Der Poolstaubsauger enthält einen wartungsfreien, wiederaufladbaren Lithium-Ionen-Akku, der ordnungsgemäß entsorgt werden muss. Recycling ist erforderlich; bitte wenden Sie sich an Ihre örtlichen Behörden, um weitere Informationen zu erhalten.
- Externer Adapter und Ladestecker:
 - Verwenden Sie den externen Adapter und den Ladestecker niemals für andere Zwecke als zum Laden des Akkus des Poolstaubsaugers, der im selben Paket enthalten ist.
 - Der externe Adapter und der Ladestecker dürfen weder im Freien verwendet werden noch Regen, Feuchtigkeit, Flüssigkeiten oder Hitze ausgesetzt werden.
 - Der Transformator (oder der externe Adapter) muss sich außerhalb der Zone 1 befinden.
 - Bewahren Sie den externen Adapter und den Ladestecker außerhalb der Reichweite von Kindern auf.

- Verwenden Sie niemals den externen Adapter und den Ladestecker, wenn Schäden festgestellt werden.
- Fassen Sie den externen Adapter und den Ladestecker NICHT mit nassen Händen an.
- Halten Sie den externen Adapter vom Stromnetz getrennt, wenn er nicht verwendet wird.
- Versuchen Sie niemals, den externen Adapter zu zerlegen.
- Wenn das Versorgungskabel beschädigt ist, muss es vom Hersteller, seinem Servicemitarbeiter oder einer gleich qualifizierten Person ausgetauscht werden, um Gefahren jeglicher Art zu vermeiden.
- Stellen Sie sicher, dass das Poolvakuum vollständig trocken ist, bevor Sie es aufladen.

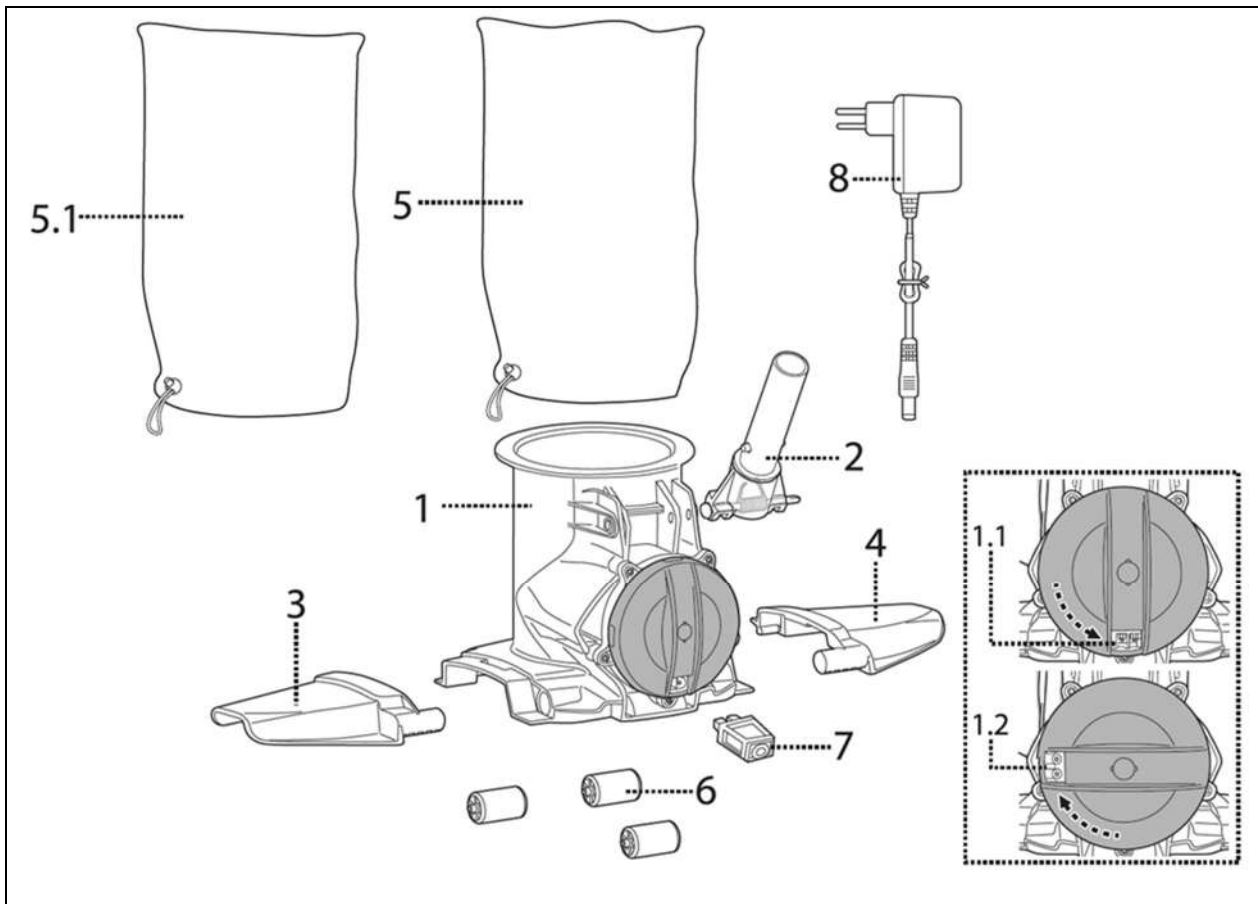
VORSICHT!

- Dieser Poolstaubsauger ist nur für die Verwendung unter Wasser vorgesehen. Es ist kein Allzweckstaubsauger. Versuchen Sie NICHT, damit etwas anderes als Ihren Pool zu reinigen.
- Verwenden Sie nur Originalzubehör, das mit diesem Produkt geliefert wurde.
- Verwenden Sie diesen Poolreiniger NICHT unmittelbar nach dem Auftragen von Chlorschock. Es wird empfohlen, den Pool mindestens 24-48 Stunden lang im Umlauf zu lassen.
- Wenn Sie das Poolvakuum in einem Salzwasserpool verwenden möchten, stellen Sie sicher, dass das gesamte Salz aufgelöst ist, bevor Sie es ins Wasser geben.
- Es wird nicht empfohlen, diesen Poolstaubsauger gleichzeitig mit einem anderen Reiniger zu verwenden.
- Vermeiden Sie es, mit diesem Produkt harte, scharfe Gegenstände aufzunehmen, da diese das Poolvakuum und den Filter beschädigen können.
- Um eine Beschädigung des externen Adapters und des Ladesteckers zu vermeiden, versuchen Sie nicht, das Poolvakuum über das Kabel des externen Adapters zu führen, und ziehen Sie nicht am Kabel, um es von der Stromquelle und dem Ladestecker zu trennen.
- Laden Sie den Poolstaubsauger in einem sauberen, trockenen Bereich mit guter Belüftung und ohne Sonnenlicht auf.
- Lassen Sie das Poolvakuum NICHT länger als 10 Stunden aufgeladen.
- Wenn der Poolstaubsauger längere Zeit nicht verwendet wird, ziehen Sie ihn vom Ladestecker ab und reinigen und trocknen Sie den Poolstaubsauger und sein Zubehör mit einem feuchten Tuch. Stellen Sie sicher, dass der Poolstaubsauger vor der Lagerung auf etwa 30% bis 50% der Batteriekapazität aufgeladen wird. An einem gut belüfteten Ort aufbewahren, fern von Sonnenlicht, Hitze, Zündquellen, Poolchemikalien und Kindern. Laden Sie den Poolstaubsauger alle drei Monate auf.
- Alle Maßnahmen zur Demontage des Hauptgeräts (d. H. Entsorgung der Batterie) können nur von einem autorisierten Techniker durchgeführt werden.

Die oben genannten Warnungen und Vorsichtsmaßnahmen sollen nicht alle möglichen Fälle von Risiken und/oder schweren Verletzungen berücksichtigen.

Pool-/Spa-Besitzer sollten bei der Verwendung des Produkts stets besondere Vorsicht und gesunden Menschenverstand walten lassen.

WIE DAS POOL-VAKUUM FUNKTIONIERT



		Ersatznummer			Ersatznummer
1.	Haupteinheit	EV90ASM04	5.	Normaler Filterbeutel x 1	EV90-06-001
1.1	Ladeanschluss (mit 2 Ladestiften zum Laden)	-----	5.1	Feinfilterbeutel (zum Filtern feiner Partikel) x 1	EV90-06-002
1.2	Wassersensoren	-----			
2.	Griff/Teleskopstangenverbinde r (mit Stecker und Feder)	EV90ASM01	6.	Rad x 3	EV90ASM03
3.	Linke Verlängerung	EV90ASM02	7.	Ladestecker	EV90-09
4.	Rechte Verlängerung		8.	Adapter	EV90-08-002 (nur für die EU)

FERTIG MACHEN

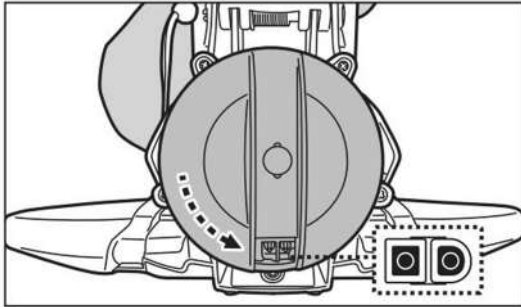
Die Batterie aufladen

WICHTIGE NOTIZ: laden Sie das Poolvakuum vollständig auf (ca. 5-6 Stunden), bevor Sie es zum ersten Mal verwenden.

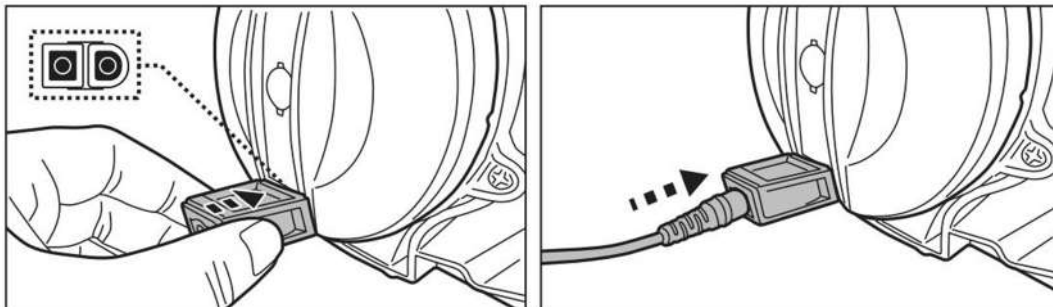
WARNUNG!

- Verwenden Sie nur den originalen externen Adapter und den Ladestecker.
- Stellen Sie vor dem Einrichten sicher, dass der Poolstaubsauger und der Ladeanschluss sauber und trocken sind.

1.



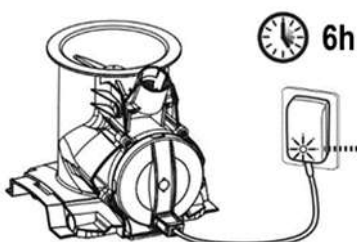
Stellen Sie das Gerät auf eine ebene Fläche. Stellen Sie den Poolstaubsauger auf Ausschalt-/Lademodus, indem Sie den Schaltknopf gegen den Uhrzeigersinn drehen, bis er klickt und den Ladeanschluss vollständig freilegt.



Richten Sie den Ladestecker aus und schließen Sie ihn an den Ladeanschluss an. **WARNUNG!** Achten Sie darauf, den Ladestecker nicht umzudrehen und sicherzustellen, dass sowohl der Ladestecker als auch der Ladeanschluss sauber und trocken sind, bevor Sie sie aufladen. TIPPS: Trocknen Sie den Ladeanschluss und die Stifte mit Wattestäbchen.

Stecken Sie das Ladekabel des externen Adapters in den Ladestecker.

2. Schließen Sie den externen Adapter an die Stromquelle an. Die Anzeigelampe am externen Adapter leuchtet rot, wenn das Vakuum aufgeladen wird, und grün, wenn es vollständig aufgeladen ist. Laden Sie es 6 Stunden lang auf, um die beste Leistung zu erzielen.



ROTES Licht – Laden
GRÜNES Licht - Aufgeladen

- Trennen Sie den externen Adapter sofort von der Stromquelle, wenn Sie Folgendes feststellen:
 - Beleidigender oder ungewöhnlicher Geruch
 - Übermäßige Hitze
 - Verformung, Risse, Undichtigkeiten
 - Rauch
3. Wenn der Ladevorgang abgeschlossen ist, ziehen Sie den externen Adapter von der Stromquelle ab und ziehen Sie das Ladekabel vom Ladestecker ab. Ziehen Sie den Ladestecker vom Hauptgerät ab. **WARNUNG!** Lassen Sie den Ladestecker niemals, während sich das Poolvakuum im Wasser befindet.

Normalerweise ist der Poolstaubsauger so ausgelegt, dass er bei voller Ladung bis zu 75 Minuten lang betrieben werden kann.

Hinweis: leeren Sie den Filterbeutel regelmäßig. Übermäßiger Schmutz erhöht die Belastung des Motors und kann die Betriebszeit verkürzen..

HINWEIS: Der wiederaufladbare Lithium-Ionen-Akku wird als Verbrauchsartikel eingestuft. Es hat eine begrenzte Lebensdauer und verliert allmählich seine Fähigkeit, eine Ladung zu halten. Daher verringert sich die Laufzeit des Poolvakuums nach wiederholtem Laden und Entladen während seiner gesamten Produktlebensdauer allmählich.

Wenn die Lebensdauer der Batterie abgelaufen ist, finden Sie Anweisungen zur Entsorgung der Batterie im Abschnitt „ENTSORGUNG DER BATTERIE“.

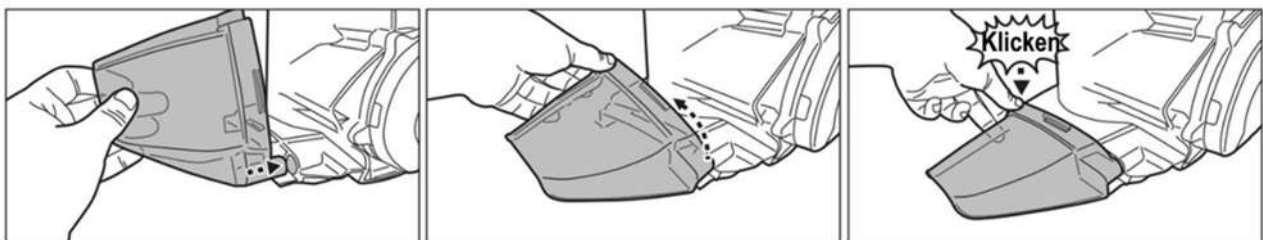
HINWEIS: Lassen Sie das Poolvakuum etwa 30 bis 40 Minuten ruhen, bevor Sie es erneut aufladen.

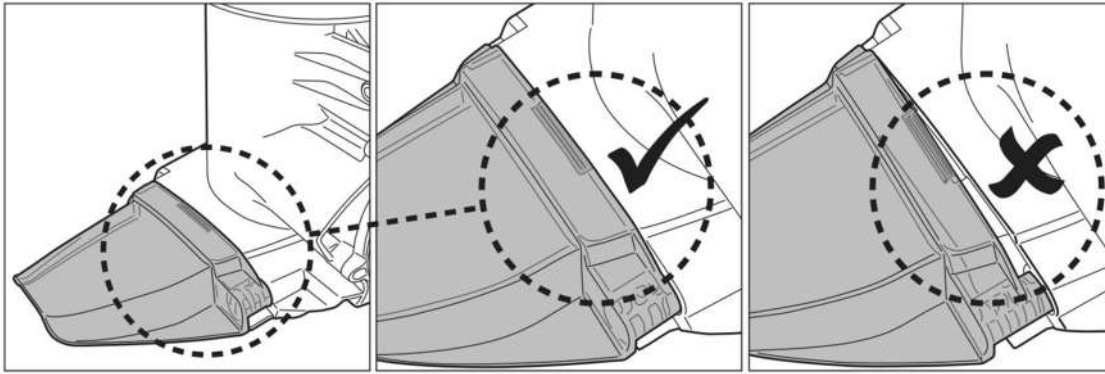
Vor Gebrauch einrichten

Dieser Poolstaubsauger hat abnehmbare Verlängerungen, die entfernt werden können, um die engen Bereiche zu reinigen.

Verlängerung montieren

Führen Sie den Schaft des Flügels in das Loch an der Seite des Hauptkörpers ein. Drehen Sie den Flügel und drücken Sie darauf, um ihn am Hauptkörper zu befestigen. Sie hören ein Klicken.



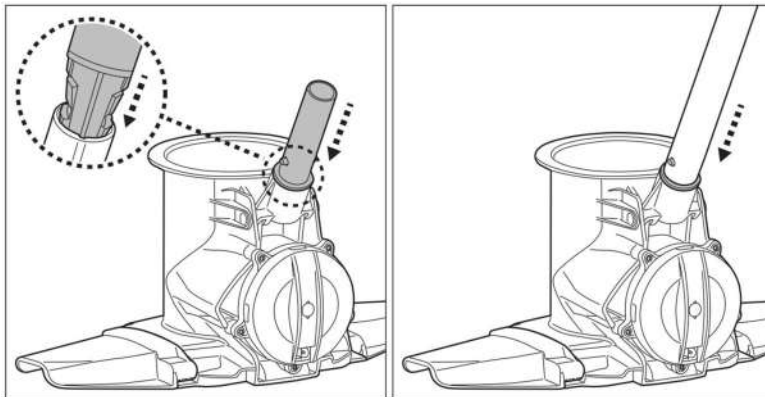


Verlängerung demontieren

Gehen Sie in umgekehrter Reihenfolge vor, um die Verlängerung vom Hauptgerät zu trennen.

Griff/Teleskopstangenverbinder montieren

Richten Sie den Griff/Teleskopstangenverbinder wie gezeigt aus und stecken Sie ihn in den Pfosten. Schieben Sie die Teleskopstange in den Polverbinder, bis die Löcher an der Seite der Teleskopstange an den Stiften des Polverbinders befestigt sind.



Filterbeutel montieren

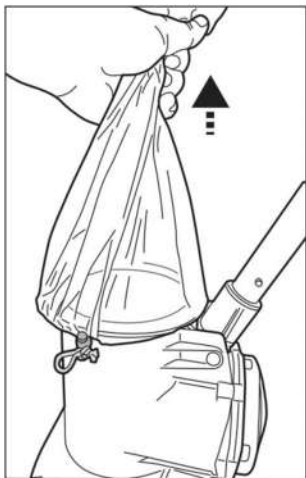
Hinweis: Wenn der Pool mit feinem Sand und Schlamm zu schmutzig ist, verwenden Sie einen feinen Filterbeutel.



Verteilen Sie den Filterbeutel über der oberen Öffnung des Hauptkörpers des Poolvakuums. Stellen Sie sicher, dass die Schnur des Beutels unter dem Flansch der oberen Öffnung liegt.



Während Sie die Schnur halten, drücken Sie auf den Schnurbefestigung und schieben Sie ihn unter den Flansch. TIPPS: Um den Filterbeutel zu sichern, ziehen Sie beim Schieben des Schnurbefestigung unter den Flansch eine Schnur anstelle von zwei Schnüre, wie in der Abbildung gezeigt.



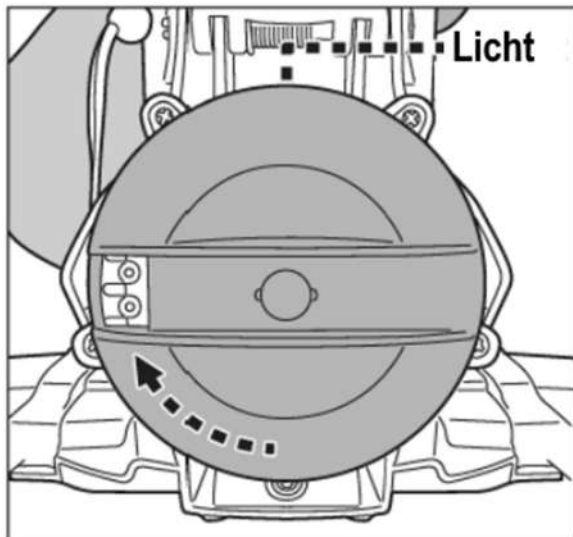
Heben Sie den Beutel an, um sicherzustellen, dass er vollständig gesichert ist, bevor Sie den Poolstaubsauger in Wasser einsetzen.

Poolvorbereitung

- Wenn der Liner spröde, beschädigt oder zerknittert ist, wenden Sie sich an einen qualifizierten Fachmann, um die erforderlichen Reparaturen durchzuführen oder einen Liner auszutauschen, bevor Sie den Poolstaubsauger verwenden.
- Wenn Sie einen Salzwasserpool verwenden, stellen Sie sicher, dass das gesamte Salz aufgelöst ist, bevor Sie den Poolstaubsauger ins Wasser stellen.

BETRIEB

- 1) Bringen Sie Ihren Poolstaubsauger an die Seite Ihres Pools. Drehen Sie den Schaltknopf im Uhrzeigersinn, bis er einrastet, um die Wassersensoren freizulegen. Das Licht oben wird blau. Tauchen Sie das Poolvakuum in Wasser, das Licht wird sofort grün und das Laufrad beginnt sich nach 4-5 Sekunden zu drehen.

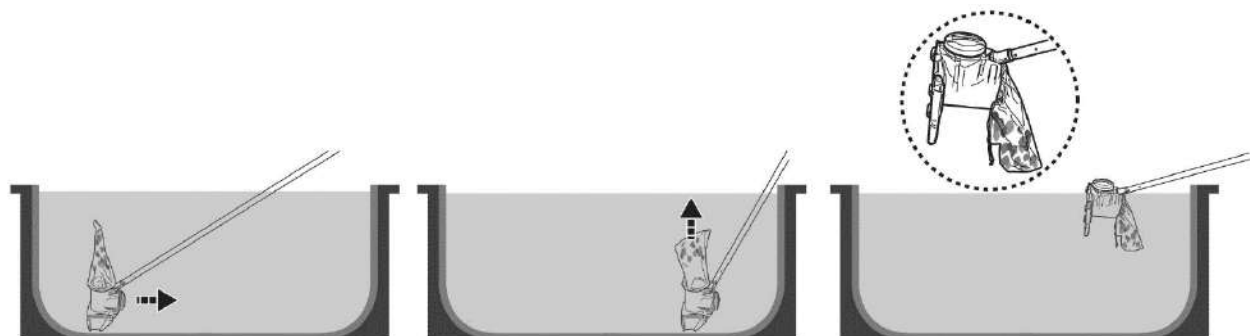


Lichtfarbe	
Blau	Einschalten (betriebsbereit)
Blau - Blinkend	Der Akkuladestand geht zur Neige
Grün	In Betrieb
Grün - Blinkend	Der Akkuladestand geht zur Neige
Grünes Licht aus	Batterie leer (muss aufgeladen werden)
Rot	Lauftrad stoppt (Lauftrad verstopft).

Um Schmutz effektiv abzusaugen, stellen Sie sicher, dass der Poolstaubsauger flach auf dem Poolboden liegt, während Sie ihn in regelmäßigen Bewegungen über Schmutzstellen zum Sammeln hin und her lenken. Schmutz wird von vorne, von der Seite und von hinten gesammelt, um den Filterbeutel aufzufüllen.

Überschüssiger Schmutz und Ablagerungen im Pool können das Lauftrad verstopfen, das automatisch zum Schutz des Motors stoppt und die Anzeigelampe rot leuchtet. Entfernen Sie das Vakuum aus dem Pool und schalten Sie es aus, bevor Sie den Filterbeutel reinigen und leeren, wenn er voll ist. Um den Betrieb wieder aufzunehmen, drehen Sie den Schaltknopf gegen den Uhrzeigersinn, bis Ausschalten ausgewählt ist, und drehen Sie ihn dann im Uhrzeigersinn, um Einschalten auszuwählen.

- Um das Poolvakuum wiederzugewinnen, bringen Sie es am Pool und drehen Sie es um, bevor Sie es anheben. Dies geschieht, um zu verhindern, dass Schmutz in den Pool zurückstreut (insbesondere wenn Sie den Feinfilterbeutel verwenden), und um zu vermeiden, dass die Stange dabei verbogen wird.



Sobald das Poolvakuum aus dem Wasser ist, dreht sich das Lauftrad innerhalb von 2-3 Sekunden nicht mehr. Das LED-Licht leuchtet blau. Wenn der Batteriestand zur Neige geht, blinkt das blaue Licht.

- Spülen Sie den Poolstaubsauger nach jedem Gebrauch mit frischem Wasser. Verwenden Sie KEIN aggressives Reinigungsmittel..
- Trocknen Sie den Ladeanschluss und die Stifte gründlich ab (TIPPS: Trocknen Sie sie mit Wattestäbchen)

LEEREN DER FILTERTASCHE

VORSICHT! Stellen Sie sicher, dass das Poolvakuum ausgeschaltet ist, bevor Sie den Filterbeutel reinigen.

Stellen Sie den Reiniger auf eine ebene Fläche. Drücken Sie auf den Schnurbefestigung, um den Beutel vom Hauptkörper zu lösen. Es wird empfohlen, den Filterbeutel mit Spritzwasser zu reinigen. Wenn das Bürsten als notwendig erachtet wird, reinigen Sie es vorsichtig mit einer weichen Bürste, um Beschädigungen zu vermeiden.

WARTUNG & LAGERUNG

HINWEIS:

1. Der Akku entlädt sich während der Lagerung von selbst. Stellen Sie sicher, dass der Poolstaubsauger vor der Lagerung auf etwa 30% bis 50% der Batteriekapazität aufgeladen wird.
2. Sie müssen den Akku mindestens alle drei Monate aufladen, wenn er nicht verwendet wird.
 - Ziehen Sie den externen Adapter aus der Steckdose und das Ladekabel aus dem Ladestecker.
 - Nehmen Sie das Zubehör vom Poolstaubsauger ab. Spülen Sie gegebenenfalls den Poolstaubsauger und das Zubehör mit frischem Wasser aus. KEIN aggressives Reinigungsmittel verwenden.
 - Trocknen Sie das Poolvakuum vor der Lagerung
 - Reinigen und trocknen Sie den Poolstaubsauger und das Zubehör mit einem feuchten Tuch.
 - Lagern Sie sie an einem gut belüfteten Ort, fern von Sonnenlicht, Hitze, Zündquellen, Poolchemikalien und Kindern. Die Umgebungstemperatur für die Lagerung sollte 10°C - 25°C betragen. HINWEIS: Eine höhere Lagertemperatur kann die Batterielebensdauer verkürzen.

WARNUNG!

- Versuchen Sie unter keinen Umständen, das Hauptgerät zu zerlegen und das Laufrad, den Motor und die Batterie selbst auszutauschen.

VORSICHT!

- Übermäßige Hitze kann die Batterie beschädigen und dadurch die Lebensdauer Ihres Poolstaubsaugers verkürzen.
- Wenden Sie sich bezüglich des Batteriewechsels an Ihren Händler, wenn Folgendes passiert:
 - Der Akku wird nicht vollständig aufgeladen.
 - Die Batteriebetriebszeit wird spürbar reduziert. Beobachten und notieren Sie die Laufzeiten der ersten Operationen (bei voller Ladung). Verwenden Sie diese Laufzeiten als Referenzpunkt für den Vergleich mit zukünftigen Laufzeiten.
- Die Batterie muss aus dem Poolstaubsauger entfernt werden, bevor sie verschrottet wird.
- Die Batterie ist gemäß den örtlichen Verordnungen oder Vorschriften sicher zu entsorgen.

HINWEIS: Eine falsche Wartung kann die Batterielebensdauer verkürzen und die Kapazität beeinträchtigen.

BATTERIE ENTSORGUNG (Von einem autorisierten Techniker durchführen)

Ihr Poolstaubsauger ist mit einem wartungsfreien wiederaufladbaren Lithium-Ionen-Akku ausgestattet, der ordnungsgemäß entsorgt werden muss. Recycling ist erforderlich; Bitte wenden Sie sich an Ihre örtliche Behörde, um weitere Informationen zu erhalten.

WARNUNG! Versuchen Sie niemals, einen Akku zu zerlegen

- Entfernen Sie alle persönlichen Gegenstände wie Ringe, Armbänder, Halsketten und Uhren, wenn der Akku aus dem Poolstaubsauger heraus verdrahtet ist.
- Eine Batterie kann einen Kurzschlussstrom erzeugen, der hoch genug ist, um einen Ring (oder einen ähnlichen Gegenstand) mit Metall zu verschweißen, was zu schweren Verbrennungen führt.
- Tragen Sie beim Entfernen des Akkus einen vollständigen Augenschutz, Handschuhe und Schutzkleidung.
- Berühren Sie die Drähte gänzlich nicht und vermeiden Sie den Kontakt zwischen ihnen und Metallgegenständen, da dies zu Funkenbildung und/oder Kurzschluss der Batterie führen kann.
- Rauchen Sie niemals und lassen Sie keinen Funken oder keine Flamme in der Nähe der Batterie oder des Poolstaubsaugers.
- Setzen Sie den Akku keinem Feuer oder starker Hitze aus, da dies zu einer Explosion führen kann.

VORSICHT!

Wenn ein Batterieleck auftritt, vermeiden Sie jeglichen Kontakt mit den austretenden Flüssigkeiten und legen Sie die beschädigte Batterie in eine Plastiktüte.

- Wenn auslaufende Flüssigkeiten mit Haut und Kleidung in Berührung kommen, sofort mit viel Wasser und Seife waschen.
- Wenn auslaufende Flüssigkeiten mit den Augen in Kontakt kommen, reiben Sie sie nicht und spülen Sie sie sofort mindestens 15 Minuten lang mit kaltem fließendem Wasser. Suchen Sie so schnell wie möglich einen Arzt auf.

So entfernen Sie den Akku

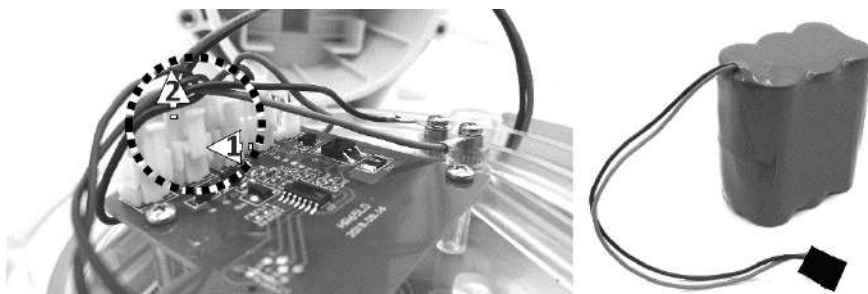
Empfohlene Werkzeuge (nicht im Lieferumfang enthalten): Schraubendreher.

WARNUNG! Das Poolvakuum muss vor dem Entfernen des Akkus vom Stromnetz getrennt werden.

1. Stellen Sie den Poolstaubsauger auf eine ebene Fläche. Lösen Sie mit dem Schraubendreher die Schrauben an der hinteren Abdeckung. Entfernen Sie die Batterie aus der Kammer.



2. Drücken Sie zum Abziehen des Batterieanschlusskabels auf den Clip des Steckers, um ihn herauszuziehen. HINWEIS: Wickeln Sie den Stecker sofort mit Isolierband um, um Kurzschlüsse durch den Kontakt beider Kabelklemmen zu vermeiden.



FEHLERBEHEBUNG

Problem	Mögliche Ursache	Lösung
Der Reiniger arbeitet nicht unter Wasser (nach 5-10 Sekunden).	Flecken auf Wassersensoren	Die Flecken können mit einem mit Zitronen- oder Essigsaft getränkten Wattestäbchen entfernt werden, um die Bereiche um die Wassersensoren zu reinigen.
	Leerer Akku	Laden Sie den Poolstaubsauger auf.
Fängt die Trümmer nicht ein	Niedriger Batteriestatus	Laden Sie den Poolstaubsauger auf.
	Blockiertes Laufrad	Entfernen Sie den Poolstaubsauger aus dem Wasser und drehen Sie den Knopf gegen den Uhrzeigersinn, um ihn auszuschalten. Überprüfen Sie, ob das Laufrad durch große Trümmer blockiert ist. Entfernen Sie die Rückstände. Wenden Sie sich bei Bedarf an Ihren Händler, um weitere Anweisungen zu erhalten. WARNUNG! Stellen Sie sicher, dass der Poolstaubsauger ausgeschaltet ist, bevor Sie das Gerät warten.
	Laufrad kaputt	Wenden Sie sich zum Austausch an Ihren Händler.
	Filterbeutel ist voll / verstopft	Reinigen Sie den Filterbeutel.
Die Ladezeit ist länger als angegeben	Verschmutzte Ladestifte	Die Flecken können mit einem mit Zitronen- oder Essigsaft getränkten Wattestäbchen entfernt werden, um die Bereiche um die Ladestifte zu reinigen.
Reiniger kann nicht aufgeladen werden	Batterie beschädigt	Wenden Sie sich an den Händler, um die Batterie auszutauschen. WARNUNG! Tauschen Sie die Batterie NICHT selbst aus. Dies kann zu schweren oder tödlichen Verletzungen führen und die Garantie erlischt.
	Der Ladestecker ist nicht richtig an den externen Adapter und den Poolstaubsauger angeschlossen.	Siehe Bedienungsanleitung und schließen Sie das Ladezubehör richtig an.
	Externer Adapter ist außer Betrieb	Wenden Sie sich zum Austausch an den Händler. WARNUNG! Die Verwendung eines falschen externen Adapters führt zur Beschädigung des Poolstaubsaugers/der Batterie und zum Erlöschen der Garantie.

Environmental Programmes, WEEE European Directive

	<p>Bitte beachten Sie die EU-Vorschriften und tragen Sie zum Umweltschutz bei. Geben Sie nicht funktionierende elektrische Geräte an eine von Ihrer Gemeinde beauftragte Einrichtung zurück, in der elektrische und elektronische Geräte ordnungsgemäß recycelt werden. Entsorgen Sie sie nicht in unsortierten Abfallbehältern. Entfernen Sie bei Gegenständen mit austauschbaren Batterien die Batterien, bevor Sie das Produkt entsorgen.</p>
--	--------------------------------------------------------------------------------------------------------------------------------------------------------------------------------------------------------------------------------------------------------------------------------------------------------------------------------------------------------------------------------------------------------------------------------------------------

Wenn eine Kopie dieser Bedienungsanleitung erforderlich ist, wenden Sie sich bitte per E-Mail an unseren Kundendienst: customerservice@kokido.com

ANLEITUNG AUFBEWAHREN



- (GB) We reserve the right to change all or part of the features of the articles or contents of this document, without prior notice.
International patents pending
- (FR) Nous nous réservons le droit de modifier tout ou partie des caractéristiques des articles ou des contenus de ce document, sans notification préalable.
Brevets internationaux en attente
- (NL) Wij behouden ons het recht voor om zonder voorafgaande kennisgeving de artikelen of de inhoud van dit document te wijzigen.
In afwachting van internationale patenten
- (DE) Wir behalten uns das Recht vor, die Eigenschaften der Artikel oder den Inhalt dieses Artikels ohne vorherige Ankündigung ganz oder teilweise zu ändern.
International zum Patent angemeldet.



Manufacturer/Fabricant/Fabrikant/Hersteller:
Kokido Development Limited.

Unit 1319, Sunbeam Centre, 27 Shing Yip Street, Kwun Tong, Kowloon, HK